

DEVELOPMENT OF ARM-7 BASED POTENTIOSTAT FOR THE ELECTROCHEMICAL LABORATORY

¹Pravin K. Bhadane, ²Suchita P. Bhangale
¹Head of the Department, ²Assistant Professor
^{1,2}Department of Electronics,
^{1,2}NowrosjeeWadia College, Pune, India

Abstract: The development of ARM-7 microcontroller based potentiostat for the electrochemical laboratory is described. Its operation is based on the three electrode potentiostat. The use of microcontroller allows generation of excitation potential, acquisition of sensed analog current, processing and storage of data. The developed system is used for the identification and quantification of analyte with the use of computer program.

Keywords - potentiostat, ARM-7, microcontroller, electrochemical laboratory.

I. INTRODUCTION

Electrochemical sensors are widely used in the laboratory for the detection of physical signals in various processes, such as pH measurement [1], glucose detection [2], and nucleic acid identification [3]. Measurement based on electrochemical sensors is much more economical and convenient than chromatographic and spectroscopic techniques [4]. The reason is electrochemical sensors do not need expensive optical set-ups. The electrochemical sensors are passive type sensors. The physical parameters sensed by the sensors is converted into electrical one with the use of transducer and DC power source. A potentiostat is commonly used transducer in the electrochemical sensing system. It converts the sensors output into the analog signal. Many scientists have developed the potentiostat required for sensing system. For instance, Frey developed potentiostat for biosensor chips [5], Turner investigated a CMOS potentiostat [6], Bandopdhyaya [7] developed a multichannel potentiostat.

Present study aims to develop a microcontroller based potentiostat for electrochemical sensing of analyte parameters. The measured electrochemical data will be analyzed for the identification and quantification purpose with the use of indigenously developed computer program.

II. METHODOLOGY

Figure 1 shows the block diagram of developed potentiostat.

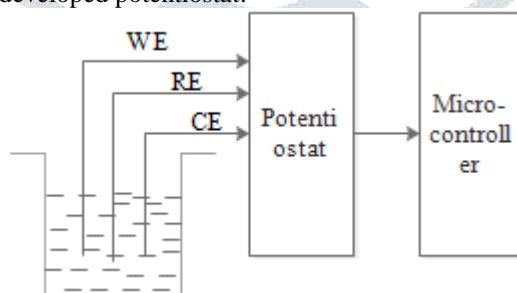


Figure 1 Block diagram of the potentiostat

The electrochemical sensing cell consists of working (WE), reference (RE) and counter (CE) electrode. The electrode specifications are shown in Table 1.

Table 1: Electrode Specification

Electrode		
Name	Material	Function
Reference	Saturated Calomel	Constant potential electrode
Counter	Pt/ steel wire	High current density electrode

Working	Dropping mercury/ carbon	Non-corrosive electrode
---------	-----------------------------	----------------------------

Potentiostat has two functions: a) control the CE potential relative to RE, b) measure the current flowing between WE and RE. The microcontroller has four functions: a) generate analog electric potential, b) digitize the sensed signal, c) signal manipulation, and d) signal storage.

A detailed block diagram of potentiostat for the electrochemical sensing system is shown in Fig. 2.

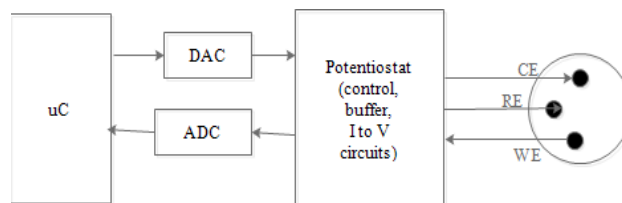


Figure 2 Block diagram of the electrochemical sensing system.

It composes of a control amplifier, buffer amplifier, current-to-voltage converter and microcontroller. The control amplifier is the electronic device that controls the potential difference between WE and RE. The current is injected into the electrochemical sensing system via counter electrode. Microcontroller is used for the four purpose: a) to measure the potential difference between WE and RE without polarizing the RE, b) to compares the potential difference with the applied potential, c) to inject current flowing from CE to WE in order to counteract the difference between the applied voltage and the existing WE potential, d) to measure current flowing from CE to WE.

III. EXPERIMENTAL WORK

Figure 3 shows the circuit diagram of electrochemical sensing system.

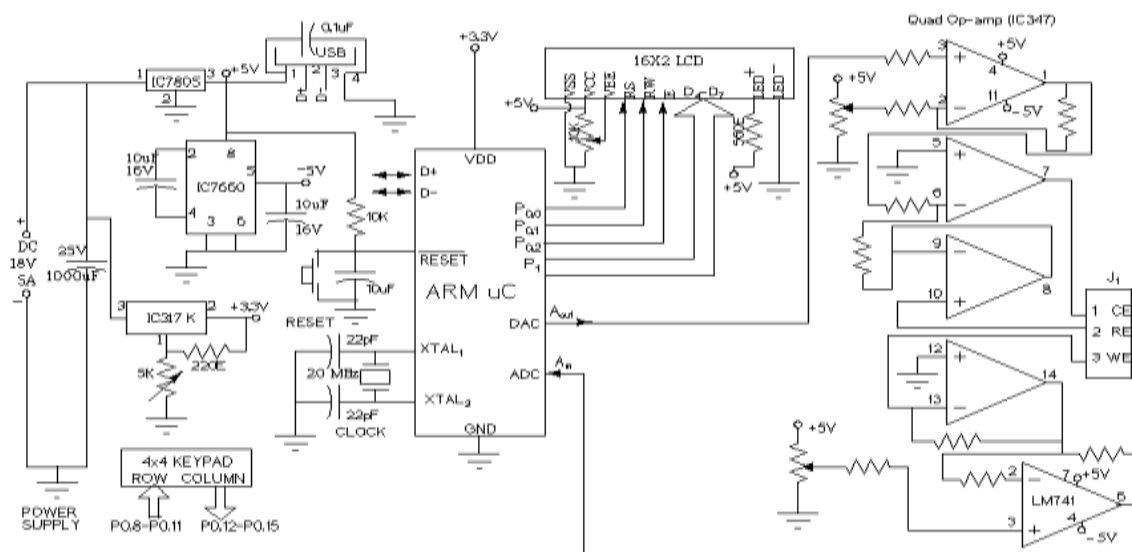


Figure 3 Circuit diagram of the electrochemical sensing system

The microcontroller is used for signal generation, data acquisition and signal management. The in-built analog to digital converter (ADC) is used to measure the potential difference between RE and WE for reexamining whether the RE reaches the applied voltage or not. In order to avoid the loading effect caused by ADC in the RE, as judged by the difference between the RE and ADC, an operational amplifier must be connected to implement a voltage follower for the isolation of the two sides of the circuit. According to the output of ADC, the microcontroller will generate the corresponding signal with the use of in-built digital to analog converter (DAC). The DAC will supply a current to the counter electrode. This feedback control procedure will continue until the voltage at reference electrode is equal to that applied voltage. The sensing current that flows between CE and WE is measured by current to voltage (I to V) converter. The voltage dropping across the feedback resistor represents a corresponding current from the sensing cell.

An inverting amplifier is needed to optimize the output voltage levels of I-to-V converter with respect to the maximum resolution of ADC.

IV. RESULTS AND DISCUSSION

Potentiostat can be used in one of the following two modes.

4.1 Sweep mode

The inbuilt DAC of microcontroller generates ramp signal by use of one of the register as up-counter. In this mode potentiostat is used to detect the halfwave potential and the height of diffusion current.

4.2 Triangular wave mode

The triangular wave is generated by counter in up and down mode. The peak current corresponding to the concentration of analyte is obtained by solving the Randles-Sevcik equation,

$$I_p = 2.69 \times 10^5 \times n^{3/2} \times A \times D^{1/2} \times C \times V^{1/2}$$

Where, I_p is peak current, n is no. of electrons in the transfer, A is surface area of the electrode, D is diffusion coefficient of the species, C is concentration, and V is scan rate.

V. CONCLUSIONS

The present design of potentiostat is based on classical theory of Heyrovsky[8] which may be used for a wide range of electrochemical experiment. It is the intent of the authors to use the potentiostat as a teaching tool in electrochemical laboratory. The potentiometer presented here can be used in place of other expensive potentiostat and is capable of producing the same analytical results despite its lower cost. The potentiostat described here can be further improved by utilizing the modern microcontrollers that allow more programming features like floating point calculations.

VI. ACKNOWLEDGEMENT

Authors wish to thank principal of modern college, Pune for providing the laboratory facility.

REFERENCES

- [1] L. W. Elder Jr. 1929. *J. Am. Chem. Soc.*, 51(11):3266–3272,
- [2] K. K. Toghil, and R. G. Compton. 2010. *Int. J. Electrochem. Sci.*, 5:1246- 1301.
- [3] S. M. Patton. 1990. *Harvard Journal of law & technology*, 3: 223- 240.
- [4] Lubomir Svorc. 2013. *Int. J. Electrochem. Sci.*, 8:5755- 5773.
- [5] A. Frey, M. Jenkner, M. Schienle, C. Paulus, B. Holzapfl, P. SchindlerBauer, F. Hofmann, D. Kuhlmeier, J. Krause, J. Albers, W. Gumbrecht, D. Schmitt-Landsiedel and R. Thewes. 2003. *Proc. IEEE Int. Symp. Circuits and Systems (ISCAS'2003)*, Bangkok Thailand, May 25-28.
- [6] R. Turner, D. Harrison, and H. Baltes. 1987. *IEEE J. Solid State Circuits*, 22(3):473–478.
- [7] A. Bandyopadhyay, G. Mulliken, G. Cauwenberghs, and N. Thakor. 2002. *Proc. IEEE Int. Symp. Circuits and Systems (ISCAS'2002)*, Phoenix AZ, May 26-29.
- [8] J. Heyrovsky. 1924. *Trans. Faraday Soc.*, 19:692.