

ACCIDENT PREVENTION BY EYE BLINKING SENSOR AND ALCOHOL DETECTOR

¹P.SREEKANTH , ²C.RAJESH KUMAR , ³G.VINAY, ⁴M.PRUDVI RAJ , ⁵B.GOPI KRISHNA
¹ASSISTANT PROFESSOR , ^{2,3,4,5}B.TECH STUDENTS
 DEPARTMENT OF ELETRONICS AND COMMUNICATION ENGEERINGING
 ANNAMACHARYA INSTITUTE OF TECHNOLOGY AND SCIENCES, TIRUPATI

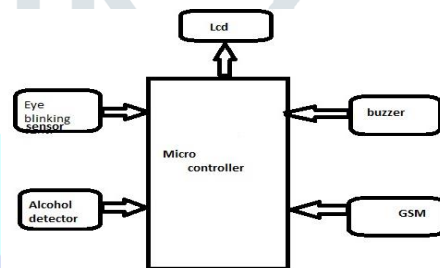
Abstract:

The main objective of this proposed system is to stop drunken and dowry people. Here in this system alcohol sensor and eye blink sensor are used .so whenever the driver starts the vehicle, the alcoholic sensor senses the amount of breathe and generates a signal to Buzzer, GSM and LCD. The output of sensors is given to micro controllers. If the value reaches to an particular level, then automatically it sends SMS through GSM. Buzzer will produce sound and the message was displayed by LCD.

I. INTRODUCTION

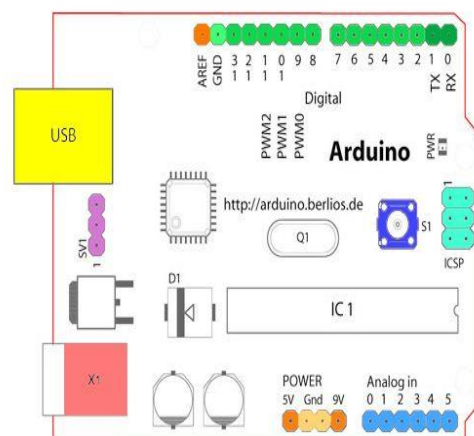
The primary point of this proposed framework is to control the mishaps by utilizing liquor and IR sensors .The capacity of an IR transmitter is utilized to transmit the IR beams in our eyes.IR collector is utilized to get the Infrared beams. Assume in the event that an eye is shut, yield of IR beneficiary is high. If an eye is opened, then yield of IR collector is low. Here liquor recognizes the substance and, in the event, that it achieves the settled esteem, it creates a SMS through GSM and signal will deliver sound and it was shown through LCD. The liquor sensor can be utilized to check the substance of liquor devoured by individual. The yield of sensor is corresponding to liquor content. At the point when the liquor particles in air met anode, at that point ethanol consumes into acidic corrosive. In light of that progressively current is delivered. On the off chance that the liquor atoms are progressively, current created is more . Here the yield sensor are in simple nature, it must be changed over into computerized design by utilizing simple to advanced converter of microcontroller .Here the microcontroller controls the entire circuit .the capacity of LCD is to show the message ,where as the GSM sends SMS and ringer produces alert.

II.BASIC MODEL OF THE SYSTEM



Introduction to the Arduino Board:

Arduino is an open source gadgets dependent on the administrations to use on the equipment and programming, arduino sheets can peruse inputs like a light on a sensor, unique mark on sensor, enacting an engine, turning on a LED, are controlled to the hard product frameworks.



Features on the arduino boards:

- Digital pins
- Analog pins

➤ Power pins

Digital PINS: The advanced pins can explicit capacities in the arduino board can be utilized for universally useful information and yield pins are inside draw up resistor which can be turned on and off utilizing advanced qualities from high or low individually. The arduino pins can be utilized as either information or yields. The over every advanced stick in arduino are 54 where 15 can be utilized as PWM yields and 16 simple sources of info, the rest of the pins are 4 UART, precious stone oscillator. At that point the BT reset associated with the reset line of the Bluetooth module these pins bolster SPI correspondence which give by basic equipment , these inherent LED associated with computerized sticks in 13 is high esteem is ON and esteem is OFF,

Analog PINS: In the simple pins to the particular capacities input pins bolster by 10-bits simple – to-advanced transformation utilizing simple read work. The a large portion of simple pins can likewise utilized as advanced pins and the simple information 0as the computerized stick 14 through simple stick input 5 as the computerized stick 19,the simple sources of info 6 and 7 can't be utilized as computerized pins

Power Pins: the information voltage to the arduino board its utilizing an outer power source as oppsed to 5 volts from the USB association or other controller control source, supply voltage through the this stick, the power providing can be alter on the voltage extend and furthermore utilized in lily cushion has no VIN stick and acknowledges just a managed info 5V, the directed power supply used to control the miniaturized scale controller and different parts on the board

Others pins:

In arduino two additional pins are there in particular AREF, RESET

AREF: The voltage which is utilized in reference and it is utilized for the simple information and the can be shown as analog Reference().

RESET: In reset the line voltage is utilized to reset the reset the small scale controller. Regularly reset catch is added to the shields which hinder the one on the board.

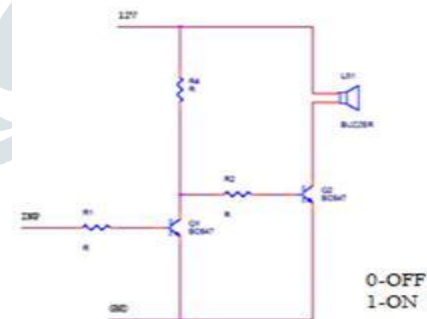
EYE BLINKING SENSOR

Our proposed framework controlling the mishaps by utilizing through Eye squint sensor. On the off chance that an individual loses cognizant, so Eye squinting sensor is settled in the vehicle it shows through caution with the assistance of Buzzer, GSM,

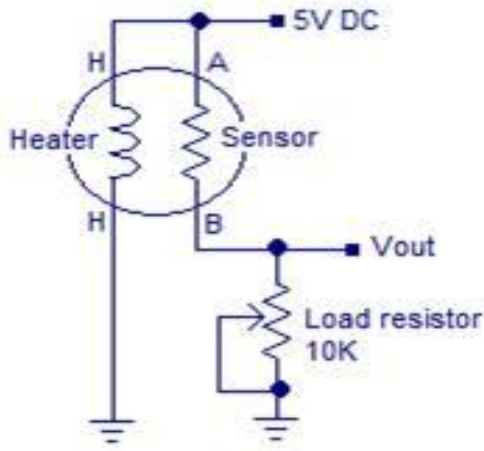
LCD. By utilizing IR sensors we can quantify and control the Eye squint of an individual. IR Transmitter If the eye is shut demonstrates the reflected infrared beams of eye. On the off chance that the eye is shut demonstrates the low. After the yield of this will go to given to rationale circuit to show the alert, GSM and LCD. This application is for checking applications, interloper finder and so on.

BUZZER ALARAM

It is otherwise called beeper sensor flagging gadget, Buzzer caution is an electronic gadget which is utilized in regularly utilized in cars, family unit machines, for example, a microwave, or amusement appears. Its comprises of number of switches and sensors which is associated with the control unit that decides the present and slipped by time, typically enlightens a light on the fitting catch or control board and the alert comes as a notice as nonstop or discontinuous humming or a signalling sound. This framework is very like an electric chime without a metal gong which depends on electromechanical framework. In the present days, it is increasingly famous to utilize fired based piezoelectric sounder like a sonalert which makes substantial clamor these are hanged to "drive" circuits. GSM sends sms and ringer makes an alert which shows to the oblivious individual and furthermore differed the pitch of the sound or beat the sound the circuit is assigned to control the bell caution. Of and on ringers are constrained by exchanging transistors.

**Alcohol Detector:**

The primary motivation behind this is to distinguishes the liquor fixation in relax. Here a liquor sensor is utilized. This sensor comprises of miniaturized scale AL203 earthenware tube, tin dioxide, estimating anode. The warmer gives working conditions to touchy segments. The MQ-3 having 6 signals, in which 4 of them are utilized to get signals. The rest of the 2 are utilized to give current.



GSM

GSM is a cellular network. GSM was developed by an European Tele-communication standard institute in the year 1992. This GSM network operates in four different frequency ranges. Most of the GSM operates in 900Mhz or 1800Mhz frequency bands. A Tri-band GSM/GPRS module SIM300 is used for sending messages. This GSM which stands for Global system for mobile communications, especially the use of hand-held mobile phones had brought the innovation of distances communications at remote locations. This helps for avoiding the accidents.

RESULT:



II. CONCLUSION

Our proposed system Accident prevention by “Eye Blinking Sensor and Detector” was implemented successfully. This device provides a great source to overcome the loss of life and accidents which cause due to curb and inactive people who were drunk. This technology can be implemented in schools, colleges and almost all the transport departments. This can also be used at public places at hospitals and libraries and some other industries to overcome accidents.

Future Scope

If drivers are not active, the car locks up the ignition system and prevents the driver from driving the vehicle. This helps in avoiding the driver from getting on road. We can use an alarm as well as an automatic breaking system which just slows up the vehicle. We can also use wireless technology to send alarm to the vehicles nearby, so that they will be alert.

REFERENCE

1. Dr Charles Kim, Embedded computing with Arduino.
2. Martin jawitz, printed circuit board materials hand book.
3. Electronic devices and circuits, mailman.
4. Electronic circuit analysis, k.Srinivasan