

REVIEW ON STRENGTHENED SOIL STRUCTURE IN A COASTAL PROTECTION SURFACE REINFORCEMENT FOR SOAK INCLINES

¹Prof.Dipali A. Pophale

¹Assistant Proffessor,

¹Department of Civil Engineering,

¹Sanmati Engineering College., Washim, India

Abstract:The paper concentrates upon the geotextile capacity of soil fortification and features the unfulfilled job of strengthened soil structures in beach front security. The physical properties of polymeric fortifying frameworks are introduced and by focusing on their long haul conduct under continued burden, admissible pressure parameters are inferred for use in structure. Fortified soil structures in the seaside condition are evaluated and the remarkable soundness and porosity highlights of a hydro progressively productive structure are distinguished. Research facility take a shot at soak slants is explored with reference to the impact of sub-layer porosity on wave reflection. The paper finishes up with a theoretical plan of a lofty permeable revetment dependent on some cutting edge structures.

I INTRODUCTION

Reviewing is the modification of characteristic landforms through evacuation or potentially expansion of soil attempted to make a site protected or appropriate for development or advancement. Sadly, evaluating frequently results in negative change of the earth. Visual debasement brought about by reviewing is regularly sensational in hilly regions and along waterfront feigns where level regions have been made by evaluating. Evaluating may likewise bother the common natural surroundings of plants and creatures in regions on or close to a venture where reviewing happens. The huge territories of uncovered earth at destinations where reviewing has happened can prompt expanded disintegration and siltation, just as movements in depositional regions. Changes in sedimentation rates and examples can result in sullyng of surface and groundwater frameworks, which thus may result in lower nature of open drinking water just as represent a risk to the solidness of an earth delicate living space.

FIGURE 1: METHODOLOGY IN SITE EVALUAION AND DESIGN

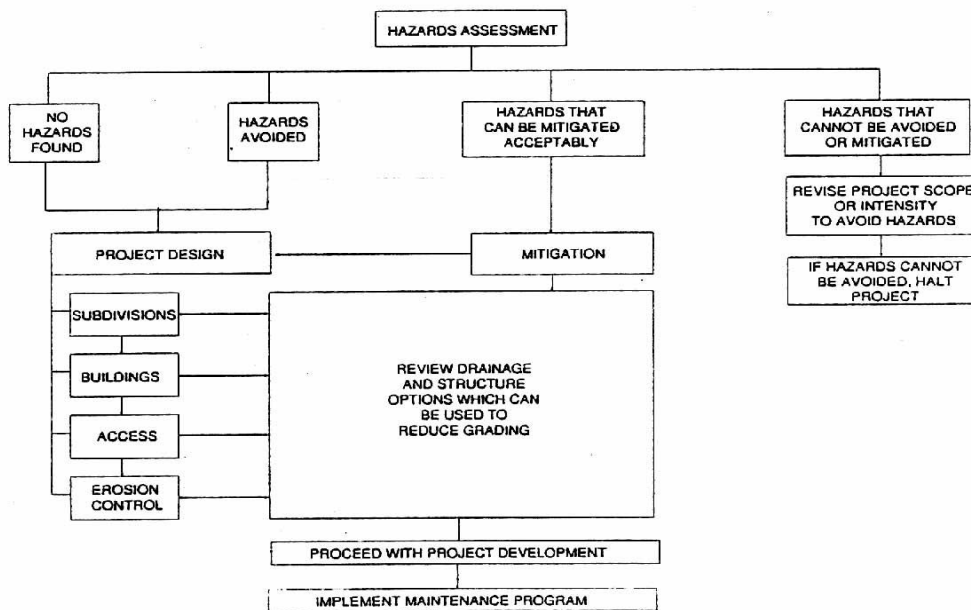


Fig 1 : Methodology In Site evaluation And Design

Construction Methods Utilized in Site Stabilization and Development

In numerous zones along the California coast, safe and naturally satisfactory ventures can be structured on the grounds that the locales have minimal topographic help, have simple access and have no distinguished geologic dangers. Notwithstanding, numerous areas have at least one improvement limitations and even with the most imaginative site plans, some incline alterations will regularly be required and designed structures might be expected to make a site reasonable for advancement. There are many building procedures to take care of strength issues, all of which require shifting degrees of characteristic landscape change.

The method of stabilization is chosen based upon evaluation of the type of hazard involved, magnitude of the problem, potential triggering mechanisms, threat to life and property, and cost. Effective stabilization methods should only be determined after an evaluation of geologic and hydrologic conditions is completed by a certified engineering geologist and a registered professional engineer.

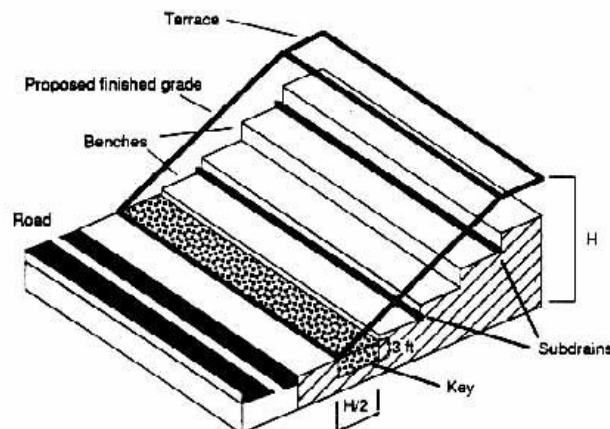
1.1 RESEARCH METHODOLOGY

1.1.1 COMMON STABILIZATION METHODS INVOLVING EXTENSIVE GRADING

Common methods of stabilization that often involve extensive grading are slope alteration and complete removal of a hazard. Slope alteration as a method of stabilization commonly involves variations of the cut and fills technique. The stability of a slope is increased by reducing the driving forces (unloading or removing the top of the slope) and/or increasing resistant forces (placement of fill at the toe of the slope) along potential failure surfaces.

The most common technique used to stabilize slopes is a buttress fill (Figure 2). Buttress fills are used to stabilize poorly consolidated or incompetent bedrock, and have been used frequently for the relatively weak sedimentary formations in southern California. A typical compacted fill buttress is constructed by removing the outer face of a cut slope and replacing it with engineered, compacted fill. Such a buttress is "keyed" into competent underlying materials to provide adequate support. Key widths along the toe of slope typically range between 15 and 200 feet. Buttress fill slopes are generally constructed with a finished grade of 2:1 (horizontal to vertical); however, steeper gradients are sometimes acceptable if sufficient shear strength of the resultant fill slope is attained.

FIGURE 2: TYPICAL BUTTRESS FILL SLOPE (modified after Scullin, 1982)



"Adjustment fills" are like brace fills, with the exception of the fill mass isn't intended to help surfaces of shortcoming or profound situated avalanches. Or maybe, the fill is built along an incline face to relieve surficial slant disappointments, for example, raveling, disintegration and shake falls. The base width of adjustment fills is ordinarily a large portion of the tallness of the incline. Support fills include a lot of reviewing and bother substantial regions amid development. Earth evacuation and, the sharp, unnatural lines of a completed support slant are obvious when contrasted with the sporadic forms of increasingly characteristic landforms. Shape reviewing can be utilized to decrease the visual effects of the evaluated zones by planning the completed slant face to all the more intently fit in with normal forms. Shape evaluating does not diminish the amount of reviewing, however can make adjusted or undulating landforms intended to look like the unaltered inclines on and neighboring the building site.

Beside tasteful effects, earth uncovered amid the development of a brace can cause quickened disintegration and siltation when seepage and soil maintenance strategies are not used amid evaluating. Sheet wash and gullying expel soil from uncovered inclines as waste examples create inside the slant and along low-lying regions at the base of the slants, bringing about broad siltation at contiguous areas. Be that as it may, use of appropriate disintegration control techniques (for example sandbags, hydro seeding, geofabric obstructions) amid reviewing will decrease disintegration and siltation.

1.2 STABILIZATION THROUGH DRAINAGE CONTROL

One of the underlying stages in balancing out an incline is to build up control of surface and groundwater frameworks (Gedney and Weber, 1978). Water control is by and large kept up through establishment of surface and subsurface seepage gadgets inside and adjoining possibly insecure inclines. Surface and subsurface seepage configuration must incorporate thought of the impacts of surface overflow and groundwater movement on the solidness and water nature of contiguous locales (Powers, 1991; Gedney and Weber, 1978). In avalanche territories waste plan is particularly critical in light of the fact that a convergence of water from water system, transfer of sewage profluent or spills from water stockpiling gadgets can raise groundwater levels, increment pore-water weight, and burden slants, subsequently causing an expansion in disappointment potential (Broms and Wong, 1991). Control of surface and groundwater stream is likewise imperative in limiting disintegration and siltation both on and off site. A legitimately planned seepage framework should expand incline solidness and abatement disintegration and siltation.

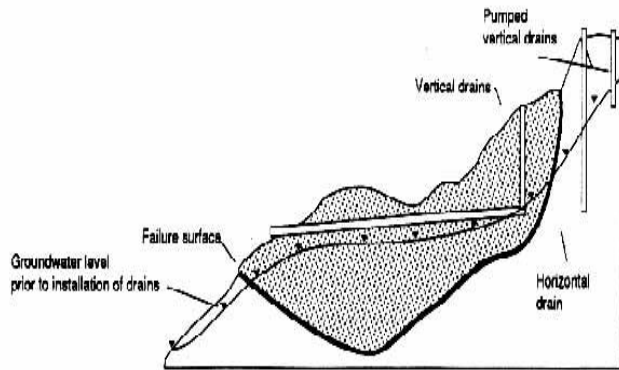
Overflow and invasion of water along a slant or over a feign face can frequently be diminished by planting vegetation over the incline or feign, as particular sorts of vegetation stay soils, which thusly lessens disintegration. A vegetative spread that does not require water system must be picked on the grounds that the penetration of the water from water system can result in expanded disappointment potential. In any case, vegetation is ineffectual in settling inclines where development has just started, so as a rule, vegetation can't be utilized as the sole adjustment technique.

1.2.1 SURFACE DRAINAGE SYSTEMS

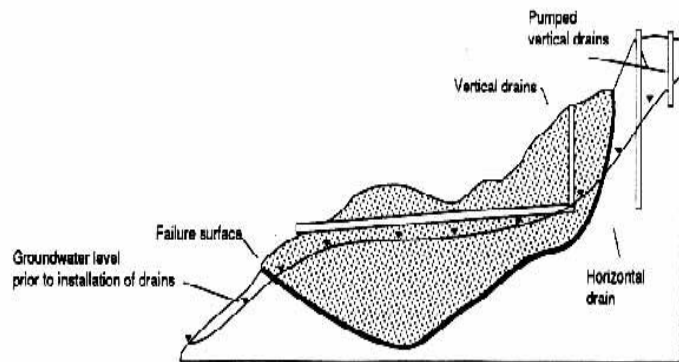
Surface drains and/or landscape design are used to direct water away from the head and toe of cut slopes and potential landslides, and to reduce infiltration and erosion in and along a potentially unstable mass. Surface drains are instrumental in controlling erosion of slopes and in drainage control adjacent to fill slopes.

The most common surface drainage devices used in prevention of slope erosion and failure are terrace drains. Terrace drains are commonly 3 to 5 feet wide, 18 inch deep, V-shaped structures that are paved with 3 inches of reinforced concrete or gunite. A problem with terrace drains is that often they are left exposed, which degrades the aesthetics of a hillside. This can be minimized by concealing the structures with vegetation. Pipe drains buried at the surface can perform the same function as terrace drains, but are not advised because buried pipes often get plugged and drainage control is hindered. Terrace drains also get clogged by debris and drains are effective only if they are periodically cleaned and maintained.

Surface water control on sites that are already developed may require construction of drains or repaving of areas such as parking lots or access ways to direct water away from slopes or a bluff. However, at many sites, construction or reconstruction of water control devices may not be possible without reducing the stability of the bluff face. In these situations, the only available drainage control may be to contain and redirect runoff over the face through channels or piping that extend to ocean at the toe of the slope. If conduits are used to divert runoff, they must be maintained regularly and replaced immediately should a leak develop?



B. Stabilization of landslide by dewatering; generally used in conjunction with other methods of stabilization



B. Stabilization of landslide by dewatering; generally used in conjunction with other methods of stabilization

Fig 3:

1.2.2 STABILIZATION THROUGH SUPPORT

Rarely is drainage the only control device utilized in stabilizing a large slope (Barrett, 1980; Broms and Wong, 1991). The described drainage systems are generally installed along with other mitigation devices to increase slope stability. The methods outlined in this section require various amounts of grading, however, the included techniques generally result in less landform alteration than does cut and fill. The differences in grading and degree of landform alteration are generally reflected in the installation method and the size of a particular engineered mitigation device. This section includes descriptions of the effective applications, limitations, installation, and maintenance of various engineering devices.

1.3 Ground Inclusions

A ground consideration is a metal bar that is driven or bored into capable bedrock (shake which isn't exceedingly cracked or separated) to give stable establishment to structures, for example, holding dividers and heaps, or to hold together profoundly broke or jointed shake. Ground incorporations can be utilized on occasion as options in contrast to the establishment heaps which are commonly used to help structures inside precipitous or soak zones. The size and thickness of a maintenance framework can likewise be decreased by utilizing a framework balanced out with incorporations (Juran and Elias, 1991). Disposal of profound establishments and a decrease in needed size of a help structure utilize considerations a vital technique in diminishing evaluating and limiting visual effects of an undertaking.

Three regular sorts of ground incorporations are ground stays, soil nails and shake jolts. Lasting ground stays are ligaments which are set in skillful shake or soil to control removals and give vertical and sidelong help to build structures and regular slants (Juran and Elias, 1991). Stays are as often as possible utilized in waterfront structures and to attach back holding

dividers to counteract disappointments because of rotational stacking or disappointments because of light powers of water.

FIGURE 4: TYPICAL SOIL NAIL

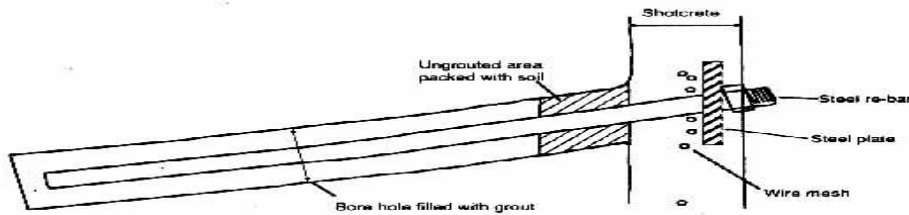


Fig 4:

One major benefit to the use of piles is that, unless they are used as a retaining wall or to support a structure on a steep slope, they will not be visible after installation. When they are used for subsurface stability, they will not cause massive landform alteration or long-term surface disturbance. When piles are used to stabilize landslides, they are only effective if they extend to depths below potential failure planes and if the piles have sufficient strength to support the full load of the slide mass.

1.3 Retaining Walls

Holding dividers are built structures developed to oppose parallel powers forced by soil development and water weight (Dismuke and Cornfield, 1991). In spite of the fact that evaluating is essential for development of all holding dividers, the unearthing happens prevalently along the toe of an incline, with the upper slants requiring close to nothing, if any modification. Since cutting the toe of an incline can destabilize the slide, the development of holding dividers at the toe of a slide ought to be attempted simply after it has been resolved that the slide can stay stable amid development. Holding dividers are normally utilized in blend with fill slants to diminish the degree of an incline to enable a street to be augmented and to make extra space around structures. Holding dividers are additionally utilized as assurance against the erosive powers of water and as a technique for incline adjustment along expressways, railways, and building destinations (Dismuke and Cornfield, 1991). Holding dividers are additionally utilized along the coast for assurance against wave harm and feign disappointment. Both vertical dividers and revetments can be utilized for insurance, and the structure for each must consider shoreline scour, storm wave stature, wave run-up, tide level and future ocean level conditions, just as the geologic properties of the feign face.

FIGURE 11: REINFORCED EARTH SYSTEM

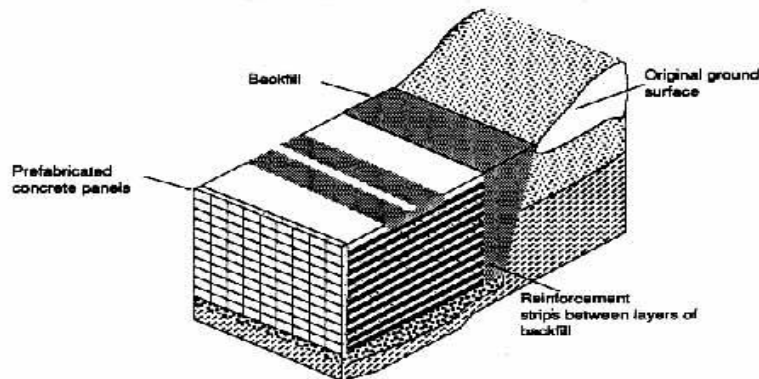


Fig 5:

Strengthened earth is utilized in development of a wide range of structures, including holding dividers, seawalls, connect projections, and at times, in piece establishment adjustment on powerless soils.. Strengthened earth has great mechanical adaptability. The utilization of earth and pre-assembled materials makes it a brisk and moderately cheap adjustment procedure. Strengthened earth dividers have a specific favorable position over cement and steel structures in that fortified earth dividers can withstand vibrational movement more viably than inflexible holding structures.

Negative parts of strengthened earth are that refilling is required along the whole range of a fortified earth divider, requiring either evaluating of the lower slope incline or importation of substantial volumes of fill material. At the point when utilized along the coast for shoreline security, the toe of strengthened earth dividers requires assurance from wave activity. Moreover, numerous beach front zones don't have adequate feign region to give the required refill if such broad feign alterations were to be satisfactory.

1.4.1 Geosynthetics

Geosynthetics are permeable, adaptable, man-made textures which act to fortify and build the soundness of structures, for example, earth fills, and along these lines permits more extreme cut slants and less evaluating in slope landscape. Geosynthetics of different rigid qualities are utilized for an assortment of security issues, with a typical use being support of unpaved streets developed on feeble soils. Geosynthetics and a steel or fiberglass fortified material can be utilized to expand incline quality, and can likewise be utilized to strengthen holding dividers (Yako and Christopher, 1987).

At the point when geosynthetics were first utilized in development applications, a large number of the materials lost their quality when they were presented to bright radiation. These textures can without much of a stretch be torn by development gear and alert must be taken when introducing geosynthetics to expand the length of the texture's adequacy. Long haul strength is critical when geosynthetics are utilized in slant security since crumbled textures may stop to work legitimately, expelling extraction and remaking of the settled incline.

1.4.2 Grouting

Grout is a concrete, silicate, or acrylamide based slurry, liquid enough to be emptied or infused into soil and consequently fill, seal, or reduced the encompassing soil (Scullin, 1983). Grouting is the weight infusion of this slurry through penetrated gaps into fissured, jointed, porous rocks and compressible soils to lessen their penetrability and increment their quality (Bates and Jackson, 1987). The sort and measure of grout that is required in an adjustment venture is commonly founded on grain estimate dissemination, thickness, water substance, and science of the dirt, just as wanted capacity of the grout. Grouting is regularly seen as a flexible technique for ground improvement for application in troublesome soil and shake conditions (Winterkorn and Pamukcu, 1991). A typical utilization of grout includes infusion of a slurry into bumbling rock to fill void spaces and structure a strong stable mass (Winterkorn and Pamukcu, 1991).

Another capacity of grout is to expand the heap bearing limit of soil by compacting soils, accordingly offering help for heaps and holding dividers, just as structure establishments. Compaction is acquired by setting a thick concrete blend into a compressible soil, which compacts and combines the encompassing soil by dislodging. Compaction grouting is for the most part performed after a structure has fizzled; the infused material at that point moves to the weakest soil zone causing a weight dislodging of the encompassing soil which at that point causes upward development of the overlying structure or soil. Compaction grouting is essential in that the in situ soil can be dealt with and uncovering isn't required.

1.4.3 Chemical Stabilization

Chemical stabilization is a soil improvement method that increases the load bearing capability by mixing the soil with powders, slurry, or chemicals. Stability is developed in a number of ways; for example, the admixtures can fill soil voids, bond together individual grains, change the permeability of the soil effectiveness and choice of chemical additives are based upon site specific physical and chemical parameters of the natural soil. Lime is perhaps the most common chemical treatment, with cement grout and potassium also being used. An understanding of the soil chemistry of the site and the precise geometry of the failure surface are the two most important factors in stabilizing a slope utilizing chemical methods.

1.6 CONCLUSION

Various engineering options exist to reduce the amount and extent of grading from that which often occurs with the conventional cut and fill or buttress fill solutions are used. These options include, among others, drainage controls, ground inclusions, piles, retaining walls, reinforced earth, and soil stabilization techniques. These techniques are one part of the larger project planning process. When grading impacts are a significant issue, all planning and design options which avoid the areas that could require extensive grading must be exhausted before these engineering options are considered. Finally, these engineering options should be considered for specific sites only with complete input from a certified engineering geologist and registered civil engineer.

1.7 REFERENCES

Juran, I., and Elias, V., 1991, Ground anchors and soil nails in retaining structures, in Fang, H., ed., Foundation Engineering Handbook, 2nd Edition: New York, Van Nostrand Reinhold, p. 868-905.

Kuhn, G.C., and Shepard, F.P., 1984, Sea Cliffs, Beaches, and Coastal Valleys of San Diego County: Berkeley, University of California Press, 193 p.

Morgenstern, N.R., and Sangrey, D.A., 1978, Methods of stability analysis, in Landslides: Analysis and Control: National Academy of Sciences, Washington, D.C., Special Report 176, p. 155-171.

Powers, J.P., 1991, Dewatering and groundwater control, in Fang, H., ed., Foundation Engineering Handbook, 2nd Edition: New York, Van Nostrand Reinhold, p. 236-248.

-795.

Scullin, C.M., 1983, Excavation and Grading Code Administration, Inspection, and Enforcement: New Jersey, Prentice-Hall, Inc., 405p.

