

Modified Switched Capacitor PV Inverter for Low Total Harmonic Distortion

Presented By- Aditya Chhikara

Aditi Chhikara

Adhaar Kaul

Abstract

In this paper we have introduced capacitor which is switch capacitor and it is inverter based and it will track forces point by utilizing fuzzy logic of PV source i.e photovoltaic source. And it will be produced better output.

Here we have used lone stage type topology which tracks the MPP for Photovoltaic source and its improve the data dc voltage and make coordinated cooling which yields in free setup with cross section applications.

Now switched capacitor is recognized with different type of indistinct switch capacitor squares which is combined by sinusoidal width equalization and weight gives capacitor alteration. Regular state examination is done and logical model is to grasp the dependence of different inverter parameter on each other and to in a perfect world pick the inverter portions. The introduced work exhibits a solitary topology where upgrade, boosting of dc and its reversal is done in a solitary square in this way expanding its effectiveness. A fuzzy based MPPT controller has been joined to give the ideal outcomes keeping up the strength of most extreme force point tracker which drives the switched capacitor inverter. The THD is decreased in the proposed framework which is under 1%.

Keywords- THD, Solar, PV, Inverter, Fuzzy, Logic

I. Introduction

Control conditioners complete control change from switch capacitor by electronically exchanging capacitor with data control source and the stack. These control conditioners are done for DC to DC voltage change.

A lot of doing overseeing examination [1], control methodologies, topologies, viability issues, and employments of Switch capacitor DC voltage to Dc voltage converters are accessible. The most one-of-a-kind part of SC dc to dc converter nonattendance of vitality taking care of generators and inductors, causing high-power volumes rather than customary dc to dc converters. [2] The purposes of worry of SC dc to dc converters are proficiency 95 percent safe working situations for an expansive scope of burdens, sensibility for enormous scope creation and value adequacy, unpleasantness and compactness because of the lack of engaging segments, simple hot administration by heat control gadgets, And a wide range of yield control, extending over a kilowatt yield control from a couple of milliwatts for control responses. SC controls are not constrained to

demands for dc to DC. [3] What's more, SC control conditioners were pushed off for dc to ac, ac to ac, and ac to dc changes. Regardless, the utilization of SC control conditioners for these solicitations was reasonably less explored as opposed to SC dc to dc converters. [4]

This paper sees SC dc to ac voltage inverters, we are as of now auditing accessible material here. Reference talks about a dc-ac-based 24-W creation. [5]-[9] To make each 50 percent of the yield sine wave, the topology in includes two proportional dc power wellsprings of converse polarities. There are two sorts of SC cells being analysed. The total cell pushes off for DC voltage to Ac voltage reversal, remaining small cell can direct Dc voltage and Dc voltage to AC voltage activities together. N complete neurons are compulsory to understand a $2n + 1$ -level inverter. [10]

This is mixed of DC to Dc voltage converter and H₂ interface for spreading out.

Since this exposition is overseeing SC dc to ac inverters, we are presently surveying accessible material here. Reference talks about a dc-ac-based 24-W creation. [11] To make each 50 percent of the yield sine wave, the topology in needs two comparable dc voltage wellsprings of opposite factions. There are two kinds of SC cells being analysed. The total cell utilized for dc – ac reversal, and remaining half cell lead to DC voltage to Dc voltage activity together.

[12] N complete neurons are compulsory to fathom a $2n + 1$ -level inverter. The five-level high-voltage SC inverters that are directed from a battery to drive the electroluminescent shows 'capacitive piles are appeared in. Depict a brief inverter in the SC undertaking. [13] the main block diagram of including different stages of the switched capacitor-based PV inverter is shown in Fig. 1.

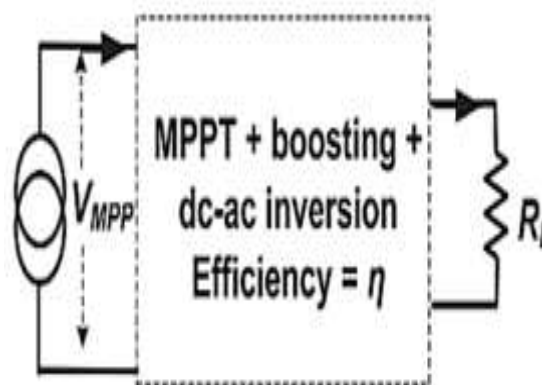


Fig. 1. PV Inverter Stage Block Diagram

This paper is organized as follows: firstly, in introduction a brief of PV inverter is given. Then literature review is presented in brief for the already existing work.

Implementation shows the main proposed work on switched capacitor inverter. And finally results and conclusion shows the improvement in the paper work.

II. Literature Review

Switched capacitor made system inverter that screens a photovoltaic (PV) source's pinnacle vitality point and creates an unadulterated sine yield to permit expansion with the other Photo Voltaic module, adequacy, thickness were extensive solitary topology of stage type that shows the source's M.P.P, underpins data dc voltage and produces a managed yield in a self-governing arrangement with organize related applications development with endless indistinct SC limited by sinusoidal width balance and subordinate burden capacitor change, the SC inverter is perceived. [14] A lone stage course inverter for cross section related PV framework with stage move control is presented in this paper. Individual MPPT is acquainted with extend the force extracted from the PV board. [15] A control plan with module document is added to achieve sharing the current under different board input condition, and stage move control with current tracking capacity and individual PWM banner. [16] The control delivered by a sunlight based photovoltaic framework depends on the sun powered radiation level and cell temperature. A sensible greatest force point tracking count is required to extract the most extreme force from the panel. [17] The author article proposes a topology for single-stage two stage cross section related sun powered photovoltaic inverter for private applications. [18] Author proposed organize related force converter involves a switch mode DC-DC converter and a H-interface inverter. The trading procedure of proposed inverter contains with a blend of sinusoidal pulse width change and square wave close by network synchronization condition. [19]

The author's article presents a plan associated with PV grid in an arrangement that is joined and made with a twofold stage three-phase inverter. In this topology, generally speaking, the most elevated vitality point observing is happened by a DC to DC converter and the cross-section current is constrained by an inverter. The three-phase plot total converter is chosen thankfulness for the helpful conditions it shows for the DC-DC agreement. In any occasion, the achievement of MPPT is lacking because of its capacity to depend unambiguously on the actualized cut-off time and trade repeat. [20]

Photovoltaic grid related inverter framework has the upsides of clear topology and insignificant exertion. Since the yield force of photovoltaic contraptions is a nonlinear capacity of the external condition load, to help the execution of photovoltaic devices, Maximum Power Point Tracking control should change the obligation cycle disrupting impact reliant on created by photovoltaic devices. [21] In spite of the fact that MPPT control with using customary aggravation and recognition strategy has the advantages of clear in structure and easy to execute the hardware circuit, anyway the control is dubious and general poor. [22] Estimated topology upgrades capability and flexibility of PV

framework. Used individual MPPT strategy for each sun-based board to extract most extreme force from the sunlight-based board and used individual control plan of each dc associate voltage. [23]

III. Implementation

In this section, the implementation of Switched capacitor-based PV inverter is explained. Firstly, the switched capacitor circuit is made which is shown in fig. 4. Then for the reduction in THD is to be achieved by proposing Fuzzy based MPPT for PWM of the gates instead of The Conventional P&O based MPPT techniques. The implemented model is shown in Fig. 2 and scheme is exposed in Fig. 3.

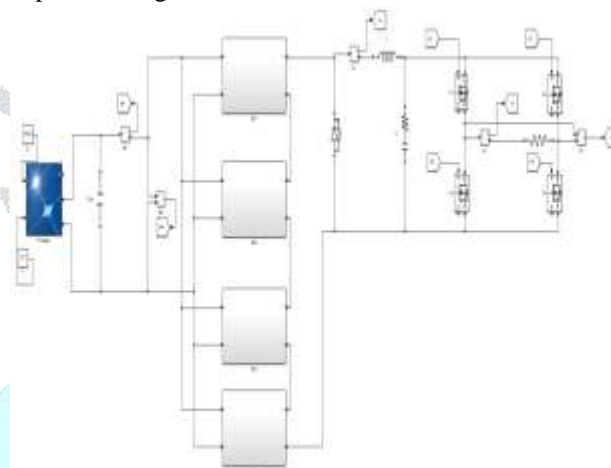


Fig. 2 Implemented SC inverter model

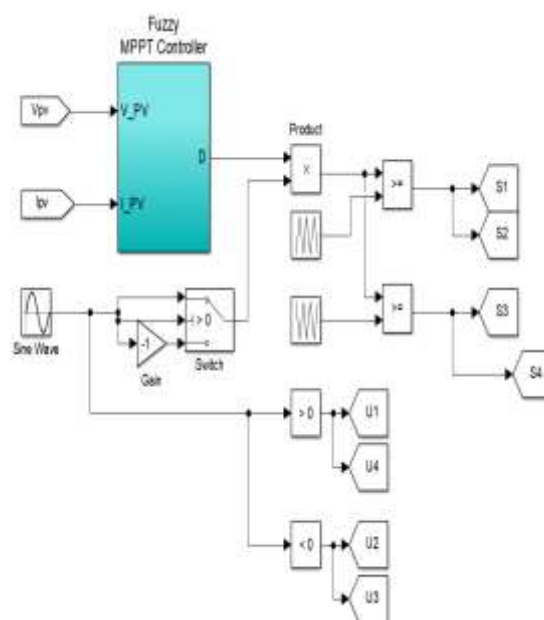


Fig. 3 Switched Capacitor and inverter stage control scheme

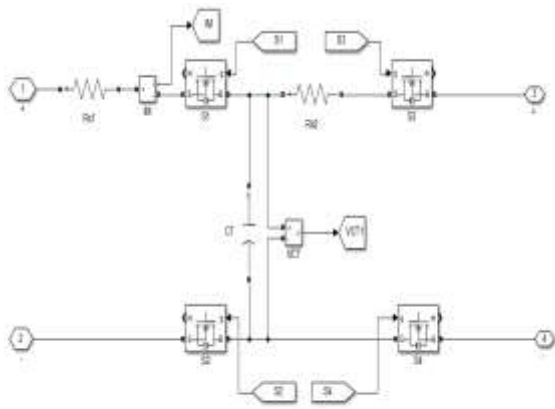


Fig. 4 Switched Capacitor Circuit

In fig. 2, the PV array is input with irradiance and temperature settings, then this is fed to switched capacitor circuit given in Fig. 4. After the switched capacitor logical switching from the control system shown in fig. 3. The fuzzy rule base is created in such a way that the THD of the output voltage is improved and is basically less than 1%.

IV. Results

In this section, the results are shown. Firstly in fig. 5 the switching of switched capacitor gates value is shown as per the control system.

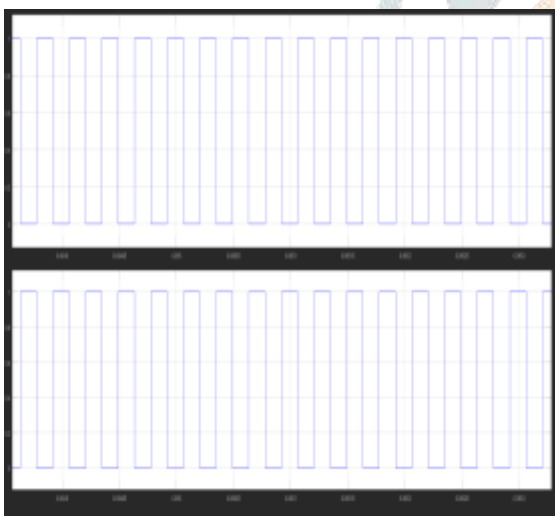


Fig. 5 Switch Pulse

In fig 6., the Capacitor charging as per implementation in fig. 2 is shown with inductor current charging and discharging as per the switching frequency of the switched capacitor gates.

Finally, below it the output sine wave is shown.

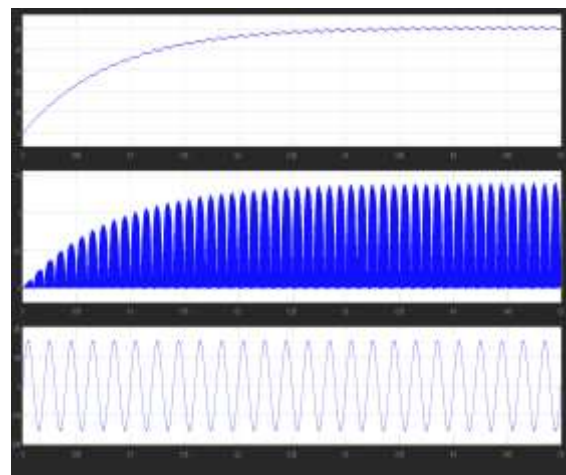


Fig. 6 VCT, IL and Vo

Fig. 7 shows the resulting THD. As in [1], the THD is 4-5%, which is improved by the use of Fuzzy or uncertain logic. The surface view diagram of the fis fuzzy inference set, rule set is shown in Fig. 8, the final findings from Fig.9 and 10 are shown.

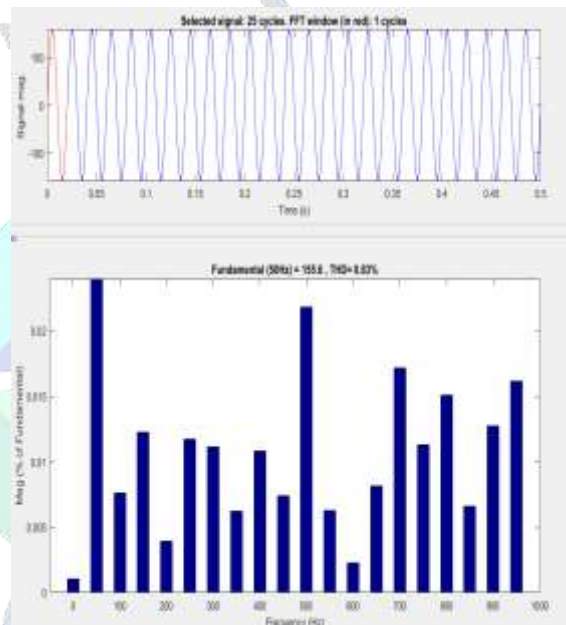


Fig. 7 THD of the proposed

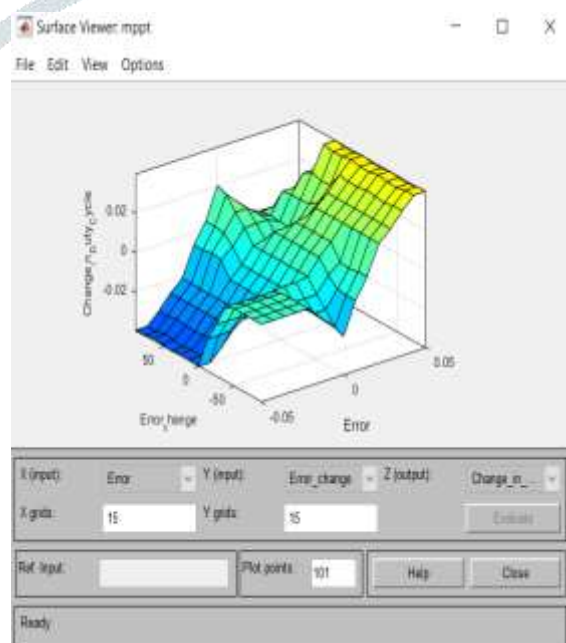


Fig. 8 Fuzzy based rule set surface



Fig. 9 current and Output voltage

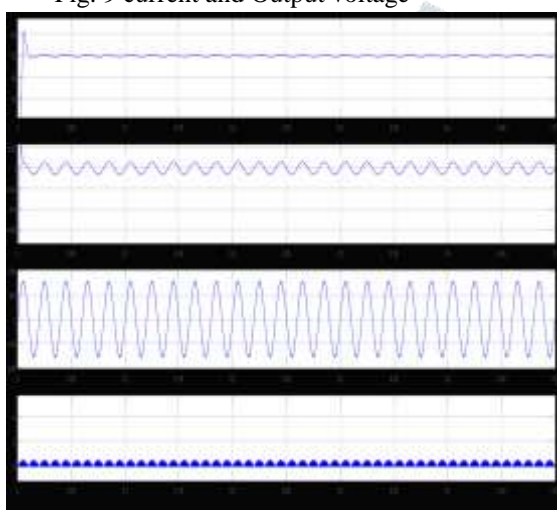


Fig. 10 PV module outputs

In fig. 10, the PV module outputs are shown as per the PV array taken and final outputs.

V. Conclusion

This document requires a fresh MPPT control technique that can improve the efficiency of the switched inverter. As shown in the outcomes of the simulation. The THD is less than 1%. This document also shows SC depend DC voltage to AC voltage inverter with desired structures. This Inverter is powered by Photovoltaic module, is a solo stage structure for MPP surveillance, increases the production voltage and reverses the PV module, resulting in a high level of skill ;It has the ability to stay lonely since the furthest output voltage cut-off is managed independently of the PV module's load and illumination energy, Outstanding to the natural geographies of the Switch capacitor inverter such as conservativity, toughness and light weight, it has room for inclusion with the PV module. It can also implement its potential range with artificial neural networks.

References

- [1] Pradeep K. et al., "Photovoltaic Module-Integrated Stand-alone Single-Stage Switched Capacitor Inverter with Maximum Power Point Tracking" I.E.E.E main TRANSACTIONS FOR POWER ELECTRONICS, VOL. 32, NO. 5 MAY 2017.
- [2] S. Nonendurance al., "Grid Tie Inverter and MPPT- A Review"2013 [ICCPCT-2013]
- [3] Hong Li, Jaber Abu-Quahog, et al., "Control of Cascaded Inverters with MPPT for Grid-Connected Photovoltaic Generators" INTELEC(r) 2013 · 13. - 17. October 2013, Hamburg - © VDE VERLAG GMBH · Berlin · Offenbach
- [4] MohdAlam, Joydip Jana, Hiranmay Saha, et al., "Switched Boost Inverter Applicable for Solar Photovoltaic System Based Micro-Grid"2016 2nd International Conference on Control, Instrumentation, Energy & Communication (CIEC)
- [5] Hosse, in NasiriAvanaki, Reza Barzegarkhoo, ElyasZamiri, et al., "A Switched-Capacitor Multilevel Inverter for GridConnected PV Systems with MPPT Ability and Reduced Components"2018 9th Annual Power Electronics, Drives Systems and Technologies Conference (PEDSTC)
- [6] Manel Hlaili, HfaiedhMechergui, Henrique Gonçalves, Bruno Exposto, João L. Afonso, et al., "Single Phase NPC Inverter Controller with Integrated MPPT for PV Grid Connection"- STA'2016, Sousse, Tunisia, December 19-21, 2016
- [7] Shuai Zhang, Weimin Wu, Houqing Wang, Min et al., "Single-Stage MPPT Control Realization for Aalborg Inverter in Photovoltaic System" Photovoltaic Power Systems Program. Report IEA-PVPS T1-13: 2004, 2004.
- [8] P. Chinna D. Goud, et al., "Global MPPT of Grid connected Solar PV Inverter under Partially Shaded Condition" IEEE Trans. Ind. Electron., vol. 56, no. II, pp. 4374--4380, Nov. 2009
- [9] Ahmed Sony Kamal Chowdhury1, M. Abdur Razzak, e al., "Single Phase Grid-Connected Photovoltaic Inverter for Residential Application with Maximum Power Point Tracking" IEEE Journal of photovoltaics., vol. 3, no. 1, pp. 500-508, Jan. 2013
- [10] Marcio Mendes Casaro, Denizar Cruz Martins et al., "Grid-Connected PV System Using A Three-Phase Modified Dual-Stage Inverter" IEEE Transactions on Industrial Electronics, vol. 53, no. 4, pp. 1002-1016, August 2006.
- [11] LISHeng-qing, ZHANG Bin, XUTian-jun, YANG Jun et., " A New MPPT Control Method of Photovoltaic Grid-connected Inverter System" Proceedings of the CSEE, 2012, 32(27):149 -153 in Chinese
- [12] T. Kerekes, R. Teodorescu, M. Liserre R. Mastromauro, A. Dell' Aquila et al., "MPPT algorithm for Voltage Controlled PV Inverters" IEEE Transactions on Industrial Electronics, vol. 53, no. 4, August 2006
- [13] Sonam S. Katkamwar, V.R. Doifode, et al., Cascaded H-Bridge Multilevel PV Inverter with MPPT For Grid Connected Application, IEEE trans. Ind. application.vol 5, NO.2, pp.17221731 March/april 2015

[14] Jyothirmayi.C. J, Nasar. A, et al., "Step Modulated Multilevel Inverter Incorporated Upon ANFIS based Intelligent PV MPPT" International Conference on Magnetics, Machines & Drives (AICERA-2014 iCMMD)

[15] CC Marouchos.et al., "The Switched Capacitor Inverter as A MPPT In A Photovoltaic Application", 2002. pesc02. 2002 IEEE 33rd Annual

[16] Hugo Ribeiro,et al., Single Stage Inverter for PV Applications with One Cycle Sampling Technique in the MPPT Algorithm,

[17] LuyaoXie, Jun Qi, Guoqing Weng, Youbing Zhang et al., "Multi-level PV Inverter with Photovoltaic Groups Independent MPPT Control"2014 17th International Conference on Electrical Machines and Systems (ICEMS), Oct. 22-25, 2014, Hangzhou, China

[18] Damodhar Reddy, Sudha Ramasamy et al., "A fuzzy logic MPPT controller based three phase grid-tied solar PV system with improved CPI voltage[i-PACT2017]

[19] G. Grandi and D. Ostoic et al., "Dual-Inverter-Based MPPT Algorithm for Grid-Connected Photovoltaic Systems" IEEE Trans. Industry Applications, Vol. 41, No. 5, Sep 2005, pp. 12921306.

[20] B. Pakkiraiah et al., "A New Modified MPPT Controller for Solar Photovoltaic System", (APEC), pp.3067-3074, 2015.

[21] Y. Liu, P. Lan and H. Lin, "Grid-connected PV inverter test system for solar photovoltaic power system certification," 2014 IEEE PES General Meeting | Conference & Exposition, National Harbor, MD, 2014, pp. 1-5, doi: 10.1109/PESGM.2014.6939471.

[22] M. Nahid Hossain, Tushar Kanti Routh, Abdul Hamid Bin Yousuf, M. M. Asaduzzaman, M. Iqbal Hossain and U. Husnaeen, "Design and development of a grid tied solar inverter," 2012 International Conference on Informatics, Electronics & Vision (ICIEV), Dhaka, 2012, pp. 1054-1058, doi: 10.1109/ICIEV.2012.6317344.

[23] J. Xu and K. Han, "The Single-Phase Inverter Design for Photovoltaic System," 2016 International Symposium on Computer, Consumer and Control (IS3C), Xi'an, 2016, pp. 341-344, doi: 10.1109/IS3C.2016.95.