



# DESIGN OF CHANNEL EQUALIZATION IN DIGITAL CHOPPING METHOD FOR PULSE WIDTH MODULATION

<sup>1</sup>Kasturi Mary, <sup>2</sup> Dr. Mohammad Hayath Rajvee, <sup>3</sup>Jabeena Shaik

<sup>1</sup>PG Scholar, <sup>2</sup>Professor, <sup>3</sup>Associate Professor & HOD, Dept. of E.C.E

<sup>1,2,3</sup>Quba College of Engineering and Technology, Nellore, SPSR Nellore Dist., A.P

## ABSTRACT

This paper presents 2 new line-coding schemes, integrated pulse dimension modulation (iPWM) and consecutive digit chopping (CDC) for equalizing loss wire line channels with the aim of achieving energy economical wire line communication. The projected technology friendly encryption schemes are ready to overcome the basic limitations obligatory by Manchester or pulse-width modulation encoding on high-speed wire line transceivers. A extremely digital encoder design is leveraged to implement the proposed iPWM and government agency encoding. Energy-efficient operation of the proposed encoding is incontestable on a high-speed wireline transceiver which will operate from ten to eighteen Gb/s. invented during a 65-nm CMOS process, the transceiver operates with offer voltages of 0.9 V, one V, and 1.1 V. With the assistance of the projected iPWM encoding, the transceiver will equalize over 27-dB of channel loss whereas in operation at sixteen Gb/s with an potency of 4.37 pJ/bit. the planning occupies an energetic die space of 0.21 mm<sup>2</sup>.

## 1.INTRODUCTION

Growth of on-line video content for prime resolution (4k, 8k) video, Associate in Nursing data generated by IoT devices has resulted in an exponential increase within the data rates at every and each purpose in the communication chain from data centers to smartphones. Wireline communication system addresses the information measure demand in 2 ways: (1) by increasing the amount of channels and (2) by increasing the information rate per channel. Increasing the channels generally needs investment in new infrastructure, and is that therefore discouraged. a serious reason for the weigh down in energy potency improvement is the reality that, whereas data rates continue to increase, communication channels have remained additional or less same since channel upgrades are terribly expensive. an equivalent channel at higher knowledge rates ends up in more inter-symbol interference (ISI), which needs larger deed to compensate the channel loss [2]. deed of the channel loss consumes important power and degrades the energy potency of the wireline

communication link. typical line-coding techniques resembling Manchester coding [9] (also called pulse breadth modulation or PWM), will equalize the wireline channel while not increasing signal power, without segmenting the output driver, and without coupling the fifty termination standardization with the constant tuning. However, PWM encoding requires the insertion of a particular slim pulse in each knowledge bit. These narrow pulses should be accurately reproduced at the transmitter output that necessitates very wide information measure within the high-speed data path, leading to poor energy potency [10], [11] and problem in scaling PWM coding to higher data rates [12]. For example, making a 10% duty cycle a 64Gb/s PWM data stream would need a pulse width of 1.5ps with not up to 1ps of rise/fall time at the transmitter output. Researchers have shown that part pre-emphasis encoding theme will facilitate to scale back data dependent noise [13]. However, it's ineffective at equalizing high-loss channels.

## II.EXISTING SYSTEM

Conventional feat techniques on the receiver finish admire call feedback equalizers [3]–[5] have tight feedback temporal arrangement constraints, that end in higher power consumption because the rate increases. Feed forward equalization (FFE) on the transmitter with voltage mode driver avoids the feedback path and ends up in economical equalization [6]–[8]. typical line-coding techniques such as Manchester coding [9] (also referred to as pulse dimension modulation or PWM), will equalize the wireline channel while not increasing signal power, without segmenting the output driver, and without coupling the fifty termination standardization with the constant tuning. However, PWM encoding needs the insertion of a particular narrow pulse in each knowledge bit. These slender pulses should be accurately reproduced at the transmitter output, that necessitates very wide information measure within the high-speed data path, leading to poor energy potency [10], [11] and problem in scaling PWM coding to higher data rates [12].

### A.Disadvantages Of Existing System

Although such a divided FFE implementation helps to keep up a constant output termination resistance (50) across all faucet settings, it comes at the price of (a) increased signal power, (b) increased change power since multiple segments are needed to attain desired one-dimensionality [8], and (c) tight coupling between fifty termination standardization and FFE tap coefficients tuning. These 3 constraints cut back the FFE potency because the range of FFE faucets are increased to equalize serious channel loss.

## III.PROPOSED SYSTEM

The conception of the projected authority coding is shown in Fig. 1. The proposed CDC encoding is impressed by the magnetic recording systems, that introduced management transitions within the knowledge stream to cut back the impact of pulse state of affairs . just in case of wireline communication systems, lower loss offered by the wireline channel to consecutive identical digits (111...) as compared to alternating data (1010...) is one among the main contributors to the inter-symbol-interference (ISI). Introducing a pulse of opposite polarity in the middle of CIDs introduces high-frequency element in the data stream, which helps to reduce the post-cursor ISI. The position and dimension of this pulse may be exactly controlled supported the channel loss profile. Compared to Manchester coding, which needs insertion of multiple slim pulses during a knowledge stream, the projected authority encoding requires insertion of only 1 wide pulse within the data stream, that helps to relax the information measure demand of the transmitter.

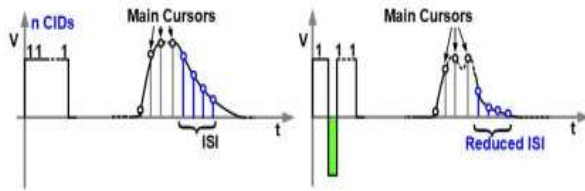


Fig. 1. Concept of the proposed consecutive digit chopping (CDC) encoding.

**PROPOSED ARCHITECTURE**

A. Transceiver design The projected transceiver architecture is shown in Fig. 2. The transceiver consists of a serializing transmitter, a deserializing receiver, and a clock tree. A high-frequency clock is provided outwardly to the chip, that is duty cycle corrected then divided down into quarter-rate 4-phase clocks. This 4-phase clock is given to each the transmitter and also the receiver. The transmitter consists of a 32-bit wide parallel PRBS generator, a 32:4 multiplexer, a 4-tap integrated pulse dimension modulator and CDC-5 encoder, and a source-series terminated output driver. The receiver consists of an eternal time linear equalizer (CTLE), amplifiers, quarter rate samplers, a 4:32 de-multiplexer, and a PRBS checker.

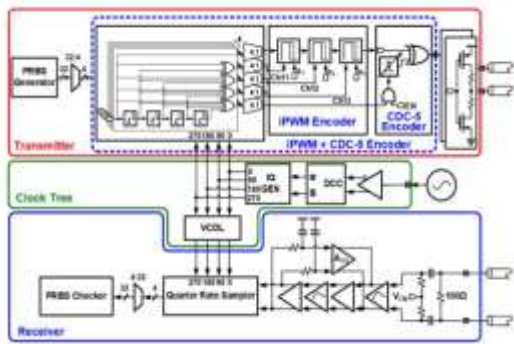


Fig. 2. Proposed iPWM based wireline transceiver architecture.

**IV.RESULTS:**

```
Data Path: v_delay_counter_2 to READY_FOR_DATA_0
```

Cell:in->out	fanout	Gate Delay	Net Delay	Logical Name (Net Name)
FD:C->Q	6	0.307	0.670	v_delay_counter_2 (v_delay_counter_2)
LUT4:I0->O	12	0.166	0.452	READY_FOR_DATA_O1 (READY_FOR_DATA_O_OBUF)
OBUF:I->O		3.601		READY_FOR_DATA_O_OBUF (READY_FOR_DATA_O)
Total		5.196ns (4.074ns logic, 1.122ns route)		(78.4% logic, 21.6% route)

Fig 3:Delay

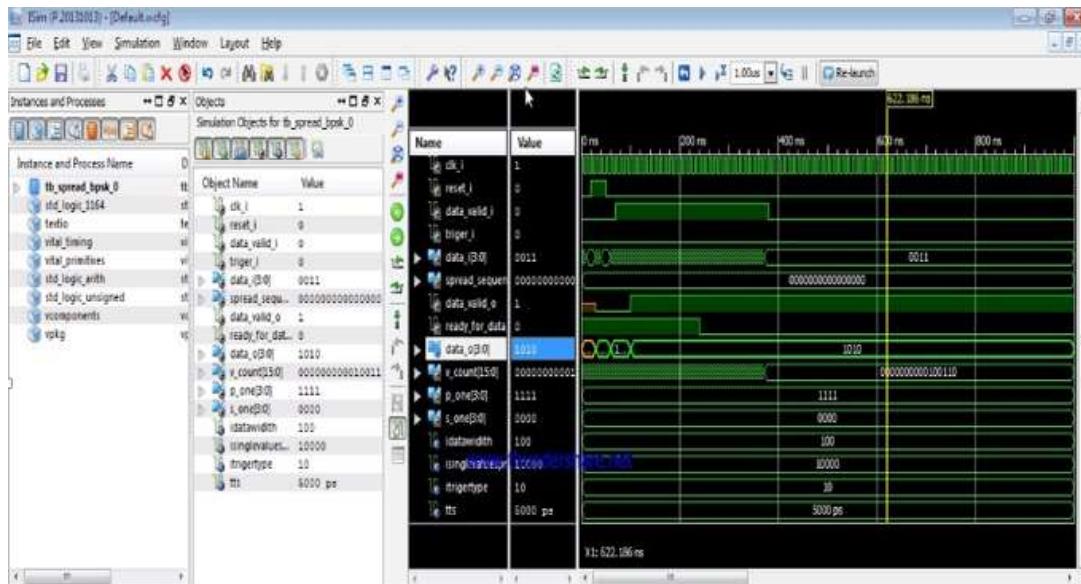


Fig 4:Simulation Results

## V.CONCLUSION:

This work introduces 2 new energy economical line-coding themes for equalization: integrated pulse dimension modulation (iPWM) AND consecutive digit chopping (CDC). The projected iPWM achieves eye openings, that are resembling FFE and Manchester. A highly-digital encoder design is proposed to implement the iPWM and government agency scheme, which is ascendible in nature and achieves wide-range high-resolution secret writing constant tuning. a ten to eighteen Gb/s wireline transceiver implementation of the proposed scheme is incontestable with measured results. The transceiver was capable of equalizing over 27dB of channel loss, whereas in operation at sixteen Gb/s, with an potency of 4.37pJ/bit. The proposed line-coding techniques can co-exist and may even be used in conjunction with alternative typical equalisation techniques love CTLE (implemented within the receiver). In future, the projected line-coding techniques may be any extended to work with FFE and DFE primarily based transceivers to form them backward compatible with existing receivers. whereas during this work, the proposed line-coding schemes were incontestable to equalize a wireline channel, these writing techniques can be also be employed to equalize low information measure path in RF and optical communication systems.

## REFERENCE:

- [1] T. Anand. Wireline Link Performance Survey. Accessed: Jan. 2018. [Online]. Available: <https://web.engr.oregonstate.edu/~anandt/linksurvey>
- [2] T. Anand, M. Talegaonkar, A. Elkholy, S. Saxena, A. Elshazly, and P. K. Hanumolu, "A 7 Gb/s embedded clock transceiver for energy proportional links," IEEE J. Solid-State Circuits, vol. 50, no. 12, pp. 3101–3119, Dec. 2015.
- [3] R. Payne et al., "A 6.25-Gb/s binary transceiver in 0.13- $\mu$ m CMOS for serial data transmission across high loss legacy backplane channels," IEEE J. Solid-State Circuits, vol. 40, no. 12, pp. 2646–2655, Dec. 2005.



- [4] T. Musah et al., "A 4–32 Gb/s bidirectional link with 3-tap FFE/6-tap DFE and collaborative CDR in 22 nm CMOS," *IEEE J. Solid-State Circuits*, vol. 49, no. 12, pp. 3079–3090, Dec. 2015.
- [5] V. Stojanović et al., "Adaptive equalization and data recovery in a dualmode (PAM2/4) serial link transceiver," in *Proc. IEEE Symp. VLSI Circuits*, Jun. 2004, pp. 348–351.
- [6] K. L. J. Wong, H. Hatamkhani, M. Mansuri, and C. K. K. Yang, "A 27-mW 3.6-Gb/s I/O transceiver," *IEEE J. Solid-State Circuits*, vol. 39, no. 4, pp. 602–612, Apr. 2004.
- [7] R. Sredojevic and V. Stojanovic, "Fully digital transmit equalizer with dynamic impedance modulation," *IEEE J. Solid-State Circuits*, vol. 46, no. 8, pp. 1857–1869, Aug. 2011.
- [8] Y. Lu, K. Jung, Y. Hidaka, and E. Alon, "Design and analysis of energy-efficient reconfigurable pre-emphasis voltage-mode transmitters," *IEEE J. Solid-State Circuits*, vol. 48, no. 8, pp. 1898–1909, Aug. 2013. This article has been accepted for inclusion in a future issue of this journal. Content is final as presented, with the exception of pagination. RAMACHANDRAN et al.: LINE CODING TECHNIQUES FOR CHANNEL EQUALIZATION: iPWM AND CDC 13
- [9] G. E. Thomas, "Magnetic storage," in *Proc. 1st Cambridge Comput. Conf.*, 1949. [Online]. Available: <http://www.chilton-computing.org.uk/acl/literature/manuals/cambridge/p017.htm>
- [10] J. H.-R. Schrader, E. A. M. Klumperink, J. L. Visschers, and B. Nauta, "Pulse-width modulation pre-emphasis applied in a wireline transmitter, achieving 33 dB loss compensation at 5-Gb/s in 0.13- $\mu$ m CMOS," *IEEE J. Solid-State Circuits*, vol. 41, no. 4, pp. 990–998, Apr. 2006.

