

INDOOR AIR QUALITY MONITORING SYSTEM USING IOT

A.Jyothi¹Mr.U.Sreenivasulu,² ³E.Manasa, ⁴D.Nikhila, ⁵K.Lalitha

^{1,3,4,5}UG Scholars, Department of ECE, Geethanjali Institute of Science &Technology, Nellore, A.P, India

²Associate Professor, Department of ECE, Geethanjali Institute of Science &Technology, Nellore, A.P, India

Abstract:As of late indoor air quality has pulled in the consideration of arrangement producers and specialists as an imperative factor like that of outer air quality. Indoor air quality must be given more consideration than open air quality as individuals invest more energy indoors than outside. Working places are utilizing machines to do the undertakings that were done physically. These gadgets emanate different solids and gases into nature amid their task. These emanations contain numerous substances that are destructive to human wellbeing, when presented to them for a drawn out timeframe or more than specific dimensions of focus. The gas sensor will adjust the contamination in air and offers contribution to controller. The IoT gadget has been customized to gather and transmit information at a normal interim of time by means of WiFi neighborhood an extra ability, the proposed air contamination checking framework can produce alerts when the contamination level surpasses past a foreordained edge esteem.

Key words—IoT, photocopier, ozone gases, primary and secondary pollutants.

I. INTRODUCTION

Indoor situations are portrayed by a few toxin sources and medical issues identified with poor indoor air quality have achieved expanding significance in the recent years [1]. In addition, the centralization of indoor air pollutants is by all accounts 2– multiple times greater than the grouping of open air pollutants [2, 3]. Besides, as per the USEPA [3], human introduction to indoor air pollutants may sometimes be in excess of multiple times higher than outside poison levels, in light of the fact that a home's inside aggregates and focuses pollutants radiated by completions, decorations and the day by day exercises of the tenants [4]. As, indoor air pollutants have been positioned among the best five natural dangers to general wellbeing. Accordingly, Indoor air quality (IAQ) is supposed as an essential issue to be tended for the residents welfare and assistance This issue is much increasingly imperative in the event that we mull over that, today, a great many people spend over 90% of their time in fake conditions [1].

In 1983, the World Health Organization (WHO) utilized the term Sick Building Syndrome (SBS) to the clinical features that we could discover in structure tenants because of the indoor air contamination [2]. A few examinations have featured the effect of indoor air quality in the etiopathogenesis of numerous non-explicit indications and clinical discoveries that describe SBS. The clinical image of this disorder is wide as it might include the skin (with ketosis, purities), the superior and inferior respiratory tract, (for example, dysphonia, dry hack and asthma), the eyes (visual pruritus) and the sensory system (for instance, migraine and trouble in focus) [5, 6].

Ventilation is utilized in structures to make thermally agreeable conditions with satisfactory IAQ by managing indoor air parameters, for example, air temperature, relative mugginess, air speed, and concoction species fixations in the air [9]. Numerical arrangements are most appropriate for examining the airflow example and contaminant molecule transport inside involved regions. Along these lines, numerous examiners have considered the conduct of airflow and contamination fixations through numerical demonstrating. Pitarma et al. [9], for example, present some numerical expectations of pollutants scattering in a ventilated room by blending ventilation.

II.EXISTING SYSTEM:

In the existing method we use Global System of Mobile wireless communication system to transmit data from one place to another. But this process is of slow speed and low range. In order to avoid this problem we are wi-Fi module for high speed and long distance communication.

III.PROPOSED SYSTEM:

The outflows discharged into the environment may contain numerous substances that are destructive to human wellbeing when uncovered for an all-encompassing timeframe. This venture proposes an IoT based air Quality Monitoring for indoors based on the convergence of hurtful gases that are available indoors utilizing a sensor.

A.BLOCK DIAGRAM:

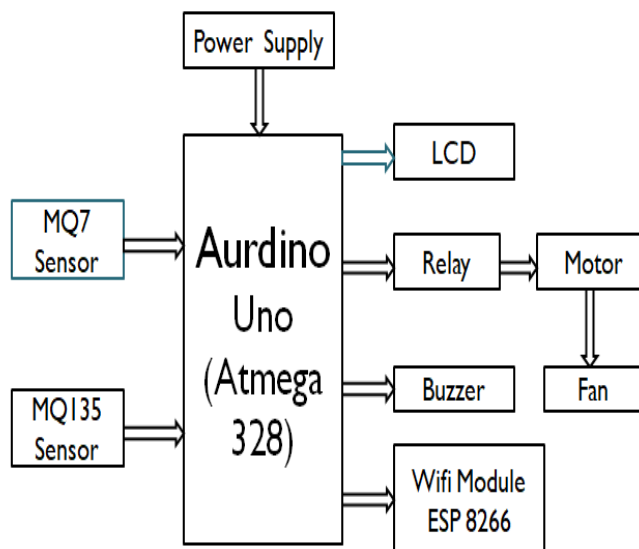


Fig : Block Diagram

B.FLOW CHART:



C.HARDWARE REQUIREMENTS:

- Aurdino Uno(AT mega328)
- Wi-Fi Module(ESP8266)
- LCD(16*2)
- Sensor(MQ2/MQ135&MQ7)

IV.HARDWARE DESCRIPTION:

A.ARDUINO UNO

It is a microcontroller subject to the ATmega328(data sheet). It contains 14 data and yield pins it is utilized as TWN yield 6 fundamental data sources It include 16 Mhz inventive resonator, and its incorporates a USB alliance, control jack, and an ICSP header and a reset catch.

Arduino is an open-source equipment compose subject to simple to-utilize apparatus and programming. Arduino sheets can look at data sources - light on a sensor, a finger on a catch, or a Twitter message - and transform it into a yield - beginning an engine, turning on a LED, passing on something on the web. You can coordinate your board by sending a lot of tenets to the microcontroller on the board. To do everything thought of you as utilize the Arduino programming language (in light of Wiring), and the Arduino Software (IDE), in context on Processing.



Fig : Aurdino

B.ESP8266 Module

The ESP8266 Wi-Fi Module has a self contained SOC with integrated TCp/IP protocol stack to communicate with the web server, which comes Pre-Programmed with an AT command set firmware to interact with the firmware and extract the information required and it can also be used to give commands for which the component can only be in control of the user. It consists of 8 pins out of which only 2 are used as GPIO pins. In addition to that we have one analog and digital pin.

It coordinates a 32-bit Tensilica microcontroller, standard advanced fringe interfaces, radio wire switches, RF balun, control speaker, low clamor get intensifier, channels and power the board modules into a little bundle. It gives abilities to 2.4 GHz Wi-Fi (802.11 b/g/n, supporting WPA/WPA2), broadly useful info/yield (16 GPIO), Inter-Integrated Circuit (I²C), simple to-advanced change (10-bit ADC), Serial Peripheral Interface (SPI), I²S interfaces with DMA (imparting pins to GPIO), UART (on committed pins, in addition to a transmit-no one but UART can be empowered on GPIO2), and heartbeat width balance (PWM). The processor center, called "L106" by Espressif, depends on Tensilica's Diamond Standard 106Micro 32-bit processor controller center and keeps running at 80 MHz (or overclocked to 160 MHz).



Figure.: Esp8266

C. Liquid Crystal Display:

LCD means Liquid Crystal Display which is used to display the desired values programmed by the user. It is also known as alphanumeric LCD because it displays both alphabets and digits. It does not support graphics. Its operating voltage is 5V. Here we are using 16*2 LCD which means it has 2 rows and 16 columns. It consists of 16 pins of which 7-14 are used as data pins called D0-D7. Here 5th pin is used as read/write because it is used to read and write. To display a character it uses 5*7 pixel matrix. The 15,16 pins are used as cathode and anode, by using these two pins the LCD can glow at night times.

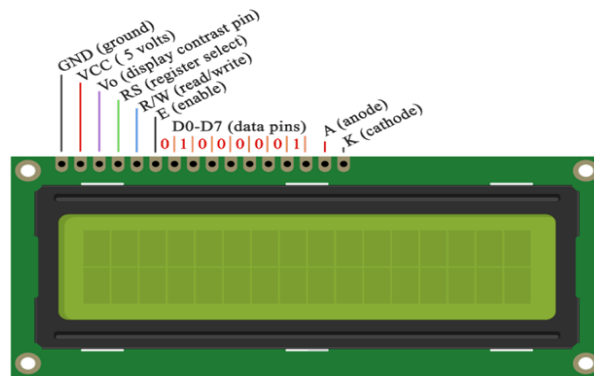


Fig :LCD

D.MQ135 Gas sensor:

MQ-135 is a gas sensor which can distinguish or gauge gases like Alcohol, CO and even methane. The module form of this sensor accompanies a digital Pin that helps the sensor to work even without the use of a microcontroller and that proves to be useful when you are just attempting to identify one specific gas. With regards to estimating the gas will be in PPM the simple stick must be utilized, the simple stick likewise TTL driven and chips away at 5V and subsequently can be utilized with most regular microcontrollers.

Utilizing a MQ sensor it identifies a gas is exceptionally simple. You can either utilize the advanced stick or the simple stick to achieve this. Basically control the module with 5V and you should see the power LED on the module to shine and when no gas is distinguished the yield LED will stay killed meaning the advanced yield stick will be 0V. Keep in mind that these sensors must be kept on for pre-warming time (referenced in highlights above) before you can really work with it. Presently, acquaint the sensor with the gas you need to identify and you should see the yield LED to run high alongside the computerized stick, if not utilize the potentiometer until the yield gets high. Presently every time your sensor gets acquainted with this gas at this specific fixation the advanced stick will go high (5V) else will stay low (0V).



Fig :MQ135 gas sensor

E.MQ7 Gas sensor:

Material used in MQ-7 gas sensor is SnO₂, It has minor conductivity in pure air. It makes location by technique for cycle 1 and 0 temperature, and distinguish CO in lower temperature (warmed by 1.5V). The sensor's conductivity is increasingly higher alongside the gas focus rising. At that point when high temperature (warmed), it helps to clean different gases adsorbed below lower temperature. It would be ideal if you utilize basic electrocircuit, Change of conductivity is converted to relate yield flag of gas fixation. MQ-7 gas sensor has more sensitivity to CO. The sensor is utilized to identify distinctive gases that contains CO, which has minimal effort and reasonable for various application.



Fig :MQ7 Gas sensor

V.RESULTS:

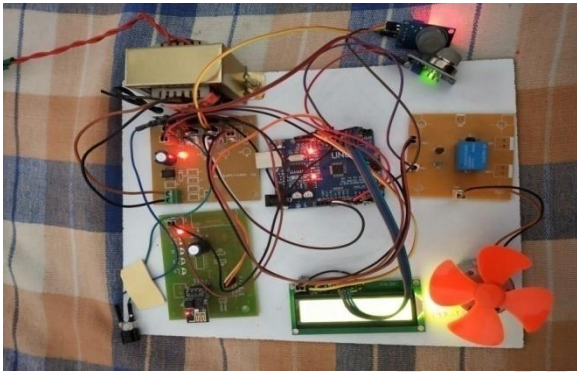


Fig:Experimental Kit



Fig : Lcd display

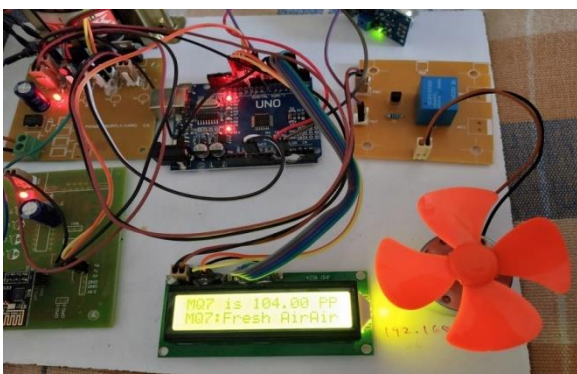


Fig:MQ7 sensor dectection



VI.CONCLUSION:

This examination proposed a savvy air contamination observing framework that always monitors air quality in a region and showcases the air quality estimated on a LCD screen. It additionally sends information estimated to the "Thing talk" stage. The framework makes familiarity with the air quality that one inhales day by day. This observing gadget can convey constant estimations of air quality.

REFERENCES:

- [1] Arun Raj V., Priya R.M.P., and Meenakshi, V., "Air Pollution Monitoring In Urban Area," IJECE , 2017 .
- [2] Matthews V.O., Uzairue S.I., Noma-Osaghae E., and Nwukor F., Design and replication of a Smart automatic Traffic System in a Campus Community. IJETIR (www.jetir.org | UGC and issn Approved), ISSN:2349-5162, 5 (8), 2018, pp. 492-497, Available at :<http://www.jetir.org/papers/JETIR1807794.pdf>.
- [3] Priyanka, V., "Review: Air Quality Monitoring System," IJARCCCE, 5(6), 2016. [4] Matthews, V. O., Noma-Osaghae, E., and Uzairue, S. I., "An Analytics based on Enabled Wireless Anti-Intruder Monitoring and Alarm System," International Journal of Scientific Research in Science, Engineering and Technology, 4, 2018, pp. 5-11.
- [5] Nghi Dam, Andrew Ricketts, Benjamin Catlett, Justin Henriques , "Wearable Sensors for Analyzing Personal Exposure to Air Pollution," IEEE , 2017.
- [6] Etinosa, N.-O., Okereke, C., Robert, O., Okesola, O. J., and Okokpujie, K. O., "Design and execution of an Biometric Iris Door Access Control System," in CSCI, 2017, Las Vegas, USA, 2017
- [7] Al-Ali, A.R., Zualkernan, I. and Aloul, F., 2010. Air pollution monitoring using A mobile GPRS-sensors array. IEEE Sensors Journal, 10(10), pp.1666-1671.
- [8] Snyder, E.G., Watkins, T.H., Solomon, P.A., Thoma, E.D., Williams, R.W., Hagler, G.S., Shelow, D., Hindin, D.A., Kilaru, V.J. and Preuss, P.W., 2013. The changing paradigm for pollution of air monitoring.
- [9] Matthews, V. O., Uzairue, S. I., Noma-Osaghae, E., Enefiok, M. K., and Ogukah, P. J., "Implementation of a Community Emergency System for Security Alert," IJISRT, 3, 2018, pp. 475-483.

