

# Water Monitoring System Using IOT

Neha Kumari Modi, Mr. Ajay Saini

Student ,Professor

Computer Science Department,

Poornima Institute of Engineering & Technology, Jaipur,India

**Abstract:** A system is proposed for the water monitoring system for a human. Today water contamination is a major issue for our globalization. It is important to supply unadulterated savoring water ongoing. In this survey paper we are going to exhibit a structure or framework created in IOT which is utilized to screen water quality progressively with ease. This framework comprise of various sensors like temperature sensor, stream sensor, turbidity sensor, pH sensor. The parameter, for example, pH, stream and temperature will be estimated by these above sensors. The deliberate qualities from the sensors will be prepared by Raspberry pi . The Raspberry Pi get to every one of the information of the sensors to quantify the virtue. At last, the sensor information can be seen on web utilizing WI-FI framework.

**Keywords:-** Flow Sensor, Raspberry Pi, Turbidity Sensor, Temperature Sensor, Flow Sensor, pH Sensor, WIFI Module.

## INTRODUCTION

IOT stands for Internet of Things, it refers to millions of devices which is used worldwide that are connected to the internet, this devices can able to collect and share the data.

IOT devices which are connected to the internet i.e. mobile phone, computer, laptop, tablets this all are part of IoT devices. This device can communicate over the internet and can be monitored.

This IOT devices can be integrated with software, sensor and actuators and connectivity which allows to collect and exchange of data information.

Online water quality observing has been broadly utilized in numerous nations to check the water nature of better places and to expel genuine motivations rely on water contamination. The water is constrained and fundamental asset for all the current animals on the earth including individual. Any debasement in water quality would seriously influence the soundness of the people, creatures and further more influence the plants. In the 21st century there were heaps of innovations, however around then contaminations, an Earth-wide temperature boost, etc are likewise being shaped, in light of this there is no sheltered drinking water for the total populace.

### Advantages:

I. System will be helpful to remove or reduce many diseases which occurs due to changes in water pH and also due to water pollution

II. System will be useful to reduce the water pollution in our cities or places.

III. System is user friendly.

IV. It will reduce the labour cost or time spends to check the purity of water manually.

## Purpose or Needs

The drinking water is especially valuable thing for person and every single living thing of this entire world. These days water quality checking progressively faces difficulties due to an Earth-wide temperature boost, restricted water assets, developing populace, and so on. Henceforth, there is a need of growing better philosophies to screen the water quality parameters progressively. The water quality parameters pH estimates the grouping of hydrogen in water. It demonstrates the water is acidic or basic. The water having pH 7 is ideal for drinking when pH more noteworthy than 7 then it gets basic and short of what it will be acidic innature.

The scope of pH is 0-14 pH . For drinking reason it ought to be 6.5-8.5pH. Turbidity estimates the extensive number of suspended particles in water that is undetectable. Higher the turbidity higher the danger of loose bowels ,collars. Lower the turbidity then the water is spotless. Temperature sensor is utilized to quantify the hotness and frigidity of water. The broke down oxygen (DO) is shown the oxygen that disintegrated in water. It improves the drinking water taste and appropriate to drink. The conductivity demonstrates the capacity of water to pass an electrical ebb and flow. The decay of water assets turns into a typical human issue. The manual check of water quality observing is particularly expensive and time taking. These water tests tried in the research center utilizing the expository innovations. Such methodologies are tedious and never again to be viewed as productive. Besides, the ebb and flow technique to incorporate examination of different sorts of parameters of water quality, for example, physical and compound.

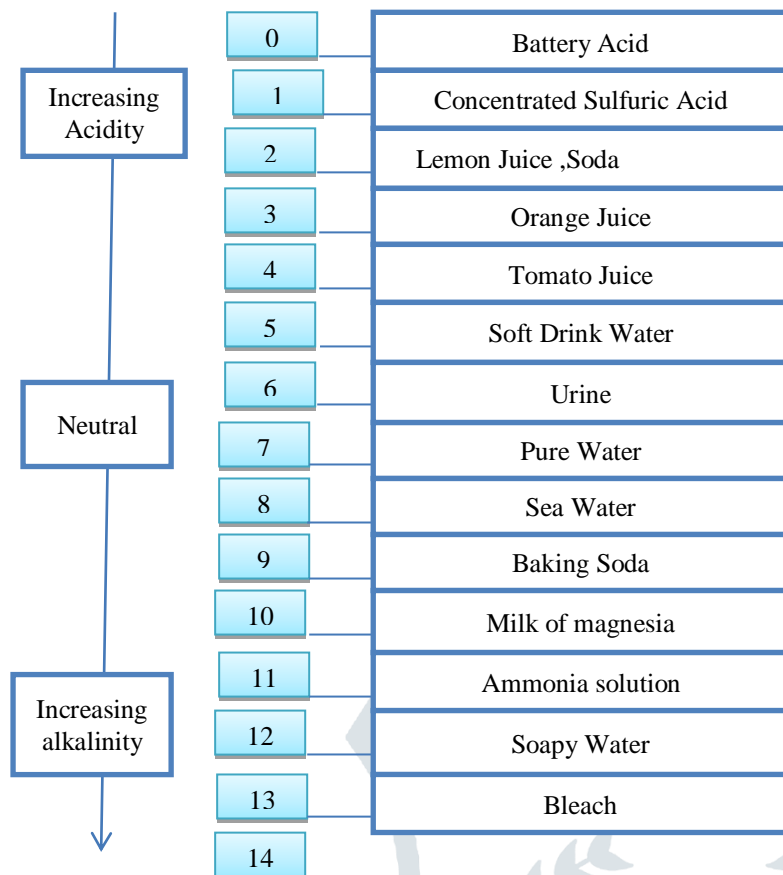


Fig: PH Level of Water

## Proposed System:-

In this block diagram it consist of many sensors like (temperature, pH, turbidity, flow) is connected to core controller. The core controller are accessing the sensor values and processing them to transfer the data through internet. Raspberry Pi is used as a core controller. The data taken by sensors can be viewed on the internet WIFI system.

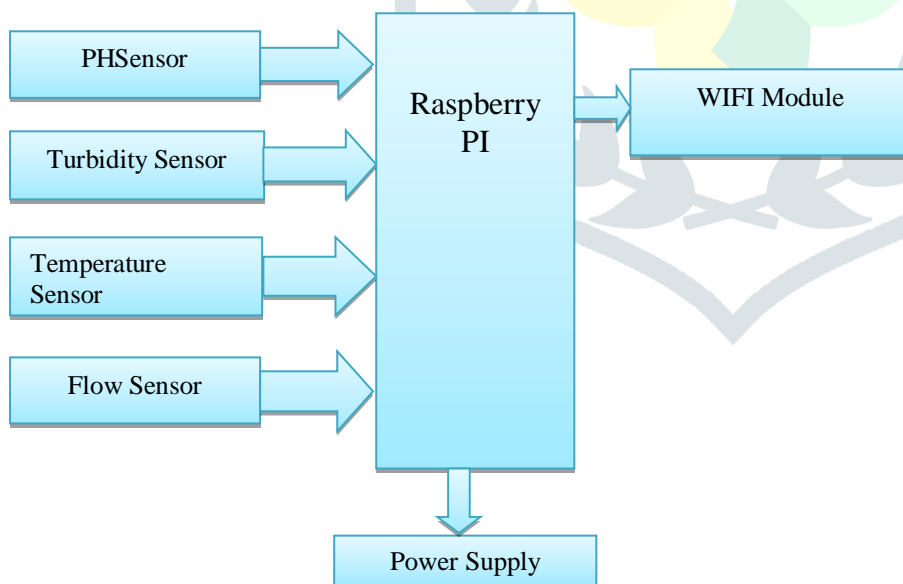


Fig: Block Diagram of Model

# ZigBee Protocol

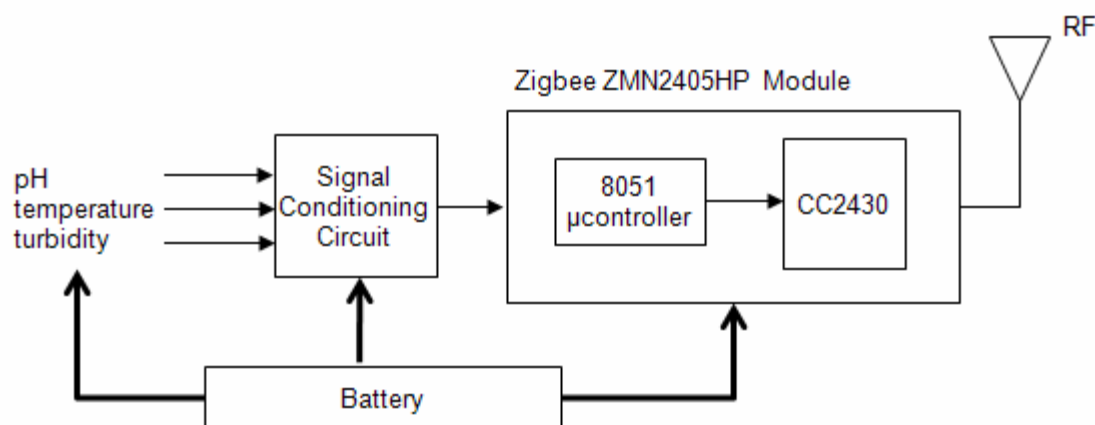


Fig:-Block diagram of ZigBee based wireless sensor node

ZigBee Convention is an affiliation which is low power utilization, low information and low information rate availability gadgets to advances remote association organize. This convention is an IEEE 802.15.4 based determination, which characterizes the Media Access Control (Macintosh) layer and physical layer for low-rate remote individual region arrange (LR-WPAN) and it gives abnormal state correspondence to Container.

## Methodology

This segment displays the clarification of every single square. In above figure all squares are given having distinctive sensors and gadgets. The sensors, gathered information from all gadgets and it accumulated at the center controller raspberry pi through ZigBee convention IEEE 802.15.4.

The gadgets comprise a few sensors for estimating water quality parameter, for example, pH, turbidity, conductivity, broke down oxygen, temperature. The information taken by sensors are not in better way to send straightforwardly utilizing ZigBee convention. In this way, the microcontroller Raspberry Pi is presented in a proposed framework for getting information from sensors and procedures on them to make good for ZigBee module. ZigBee has low information rate, low power utilization, more hub thickness that makes it appropriate for sensor organizing in the proposed framework. A switch comprised by ZigBee, which situated on all gadgets that transmit the prepared information to the organizer ZigBee, which gathers information from gadgets associated in a similar system. The organizer ZigBee and ZigBee switch are associated with same system utilizing an equivalent Dish ID (faculty are arrange) for all ZigBee gadgets in the system. The Skillet ID gives the individual territory system to remote information correspondence for sensor proposed framework is progressively reasonable to screen water quality parameters continuously. The framework presents a remote sensor organizing utilizing a few sensors to gauge water quality, microcontroller Raspberry pi and ZigBee module which make sensor arrange basic, minimal effort and all the more effectively. Henceforth, to screen information from everywhere throughout the word IOT condition is given utilizing raspberry pi to making passage and furthermore, WIFI is utilized to screen information on the web. Hence, The framework will be ease, quicker, progressively effective, ongoing and easy to understand. Therefore, we can satisfy point and goal of the proposed framework. organizing. Facilitator ZigBee is associated with the center controller Raspberry pi, the center controller oversees information originating from various gadgets and the center controller puts the information in a content document which is transmitted to the IOT module. For transmitting information to the IOT, portal is made on the raspberry pi utilizing FTP (document exchange convention) convention. In the proposed framework, for screen prepared information on the web WIFI is use which gives the individual neighborhood server.

## Result and Discussion

We have distinguished a reasonable execution framework that comprises of various sensors gadgets and different modules, their functionalities. In this execution display we utilized Wi-Fi module. Sensors are associated with Raspberry PI for checking, In the wake of detecting the information from various sensors gadgets, which are put specifically zone of intrigue. The detected information will be naturally sent to the web server and when an appropriate association is built up with disjoin gadget. Observing of Turbidity, PH and Temperature of Water makes utilization of water recognition sensor with one of a kind preferred standpoint and existing GSM organize. After that the framework can screen water quality consequently, and it is low in expense and does not require individuals on obligation for physically testing. So the water quality testing is probably going to be less affordable, helpful and quick. The framework has great adaptability. By supplanting the comparing sensors and changing the related programming programs, this framework can be utilized to screen other water quality parameters. The activity is straightforward and easy to use. It has boundless application and augmentation esteem for all works like agribusines and drinking. By keeping the gadgets in the earth for observing empowers self-insurance to the earth. To execute this need to convey the sensor gadgets in nature for gathering the information and investigation the temperatures and PH esteems. By conveying sensor gadgets in nature, we can bring the earth into genuine for example it can communicate with different items through the system utilizing WIFI. At that point the gathered information and investigation results will be accessible to the end client through the Wi-Fi and it might be by utilizing web server.

## Conclusion

The conclusion of this project is monitoring environmental conditions, drinking water quality, treatment and disinfection of waste water etc. This system could also be implemented in various industrial processes. The system can be modified according to the needs of the user and can be implemented along with lab view to monitor data on computers. In order to monitor quality of water in various sites, future works can be focused on establishing a system with more sensor nodes and more base stations. It can be executed to monitor the quality of water not only in household but for the whole city or a town or a dam, from where the water supply takes place. With combination of other sensors, hybrid quality monitoring systems can be designed in the near future for the whole city or town.

