

Parasite zapper

[¹] Gita Reshmi, [²]Rahul C H, [³]Shankara Murthi, [⁴]Abdul Saleem, [⁵]Rishab Solanki
 [¹]Assistant Professor, Department of Electronics and Communication engineering, PDIT Hospete,
 [²],[³],[⁴],[⁵] BE Students, Department of Electronics and Communication engineering, PDIT Hospete,

Abstract— The basic problem that humans are facing is the health problems, humans are Sensitive that even if they migrate from one place to another place there will be chance of health effect such as cold, fever, due to change in water and atmosphere. Even though the humans have immunity power to defense against these health problems, sometimes they may fail to fight against some health problems caused by some parasites or bacteria. In this case we need to activate the immunity power so that they can defeat against parasites and this can be done by the boosting the immune cells. The purpose of zapper is focused on health issues of human body as well as contaminated vegetables and fruits. The zapper kit is designed to fight against those problems on human body, vegetables and fruits. Parasites and bacteria can be kill when the electricity reaches But as it may be, a few areas that are not reachable, for example, tooth hole and within tumors. The current isn't uniform through the body. To overcome these problems we use zapper. It will beat these issues by giving frequency through the body.

Index Terms— ARDUINO, AD9833, DIGITAL POT, DC CONVERTORS.

I. INTRODUCTION

Generally humans have parasites and bacteria that cause various difficulties. There are natural and electronic strategies to remove them, one of those method is zapper.

This concept can be implemented by the simple circuit (Zapper) which can produce frequency of specified range that boost the immune system which can fight against respective parasites. All diseases are brought about by remote life forms and contaminations that harm the insusceptible framework. By disposing of parasites, microorganisms and infections from the body by applying frequency, these diseases can be cured. One such implementation is implemented in this concept.

METHODOLOGY

Zapper is a small battery powered electronic device. Its main role was to enable the body to battle against parasites, infections, microscopic organisms and so on by applying little electrical flows utilizing a particular waveform and recurrence. Zapper is an extremely straightforward kit with just a single all inclusive recurrence that should be utilized commonly to get strong outcomes, yet isn't so powerful for explicit medical issues.



Fig: 1.1 Zapper kit

It is a completely programmable computerized frequency generator with the most recent highlights of the solid and programmable structure. It contains more than 2000

preselected programs that are viable for explicit medical issues like herpes, Lyme sickne

ss, influenza, chicken pox, and some more. Zapper is particularly planned such that it produces recognizable outcomes in a brief span. The gadget makes modest electrical heartbeats, with a positive DC voltage counterbalance that is connected to the body. The association with the body is kept up by means of hand and foot plate anodes. Inside the body these modest current heartbeats go through pretty much every kind of tissues, including organs, muscles and particularly veins and lymphatic framework. The particular frequencies slaughter parasites and microscopic organisms wherever the present contacts them. Despite the fact that the current does not achieve the locales like eyes, the informative supplement, the testicles and the internal ear bones.

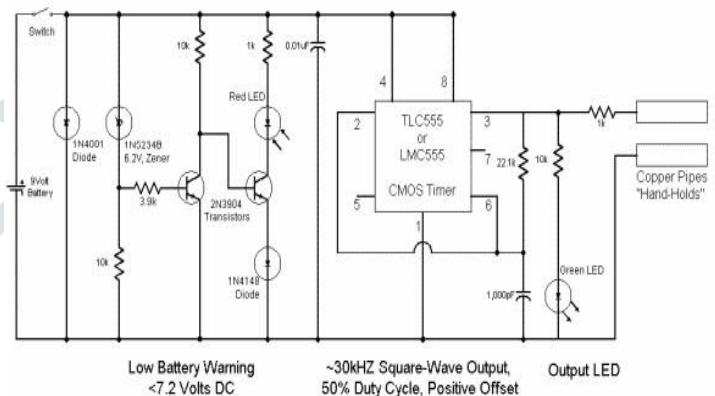


Fig: 1.2 Zapper Circuit

The fig: 1.2 shows a circuit of a zapper used to kill the bacteria, parasites etc. which are present on the fruits, vegetables etc. The circuit produces different types of frequencies which are suitable for different types of fruits and vegetables. Which makes the fruits clean and healthy to eat.

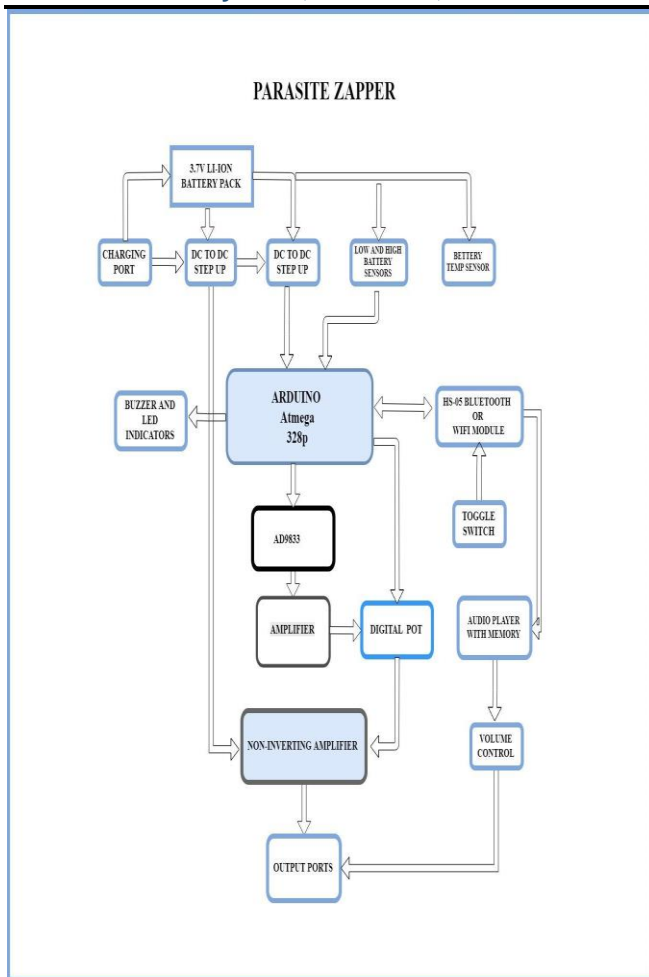


Fig: 1.3 Zapper block diagram

The fig: 1.3 shows the flow diagram of the zapper, which consist of two main components Arduino and AD9833.

Initially the codes are filled on Arduino for which frequency range has to be produced among different frequency ranges. There are different frequency ranges in which the respective bacteria and parasites cannot be survive. Code is dumped using software Arduino IDE that uses embedded C language. We have designed an application that can be used through smart mobile in which we need to select particular disease for treatment of the patient. After selecting, the mobile application will send response to Arduino to produce respective frequency to cure. The communication between the mobile application and Arduino will be takes place through Bluetooth. Once the Arduino receives the response, it make use of AD9833 to generate the required frequency range. The copper plates are designed by which frequency can pass through our body. This is working procedure of zapping. The detailed description of main component used in zapper circuit is as follows

ARDUINO:

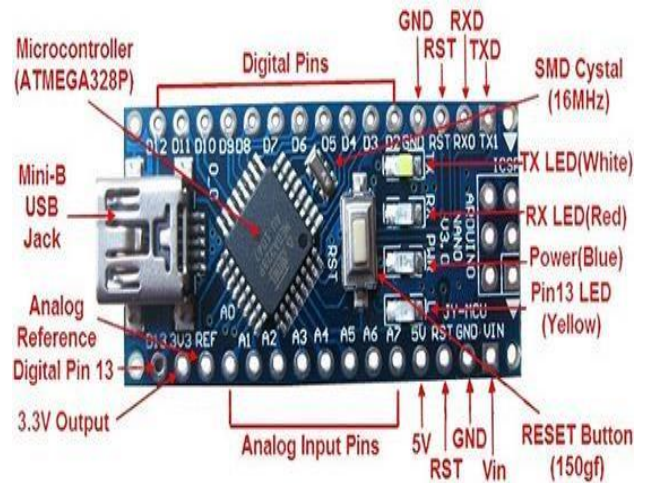


Fig:1.4 Arduino nano

The Arduino Nano is a little, total, and breadboard-accommodating board dependent on ATmega328P (Arduino Nano 3.x). It has pretty much a similar usefulness of the Arduino Duemilanove, yet in an alternate bundle. It needs just a DC control jack, and works with a Mini-B USB link rather than a standard one. Here are not many of its fundamental highlights which you should know whether you are thinking to deal with this incredible microcontroller board:

- Totally it has 22 I/O pins.
- Among 22 pins, 14 are digital pins.
- 8 analog pins are available in Arduino Nano.
- Among the digital pins, it has 6 PWM pins.
- It has a crystal oscillator about 16MHz.
- Its operating voltage ranges from 5V to 12V.
- There are different ways of communication, which are:
 - Serial Protocol.
 - I2C Protocol.
 - SPI Protocol.
- To upload code, it has a mini USB Pin.

- AD9833

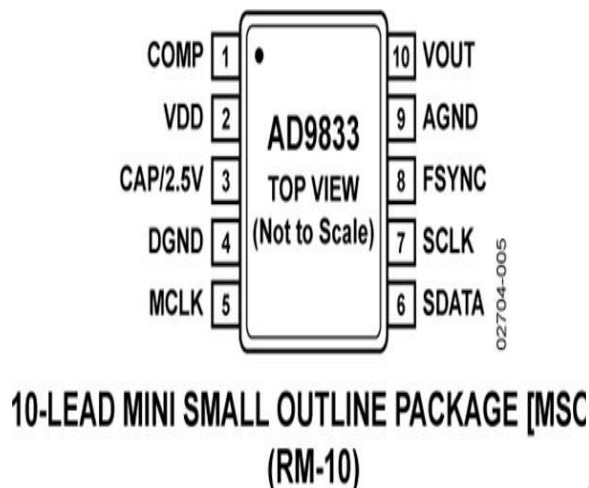


Fig: 1.5 ANALOG DEVICE 9833

The AD9833 is a low power, programmable waveform generator equipped for delivering sine, triangular, and square wave yields. Waveform range is required in different sorts of detecting, incitation, and time space reflectometry (TDR) applications. The yield frequency and stage are programming programmable, permitting simple tuning. No outside segments are required. The recurrence registers are 28 bits wide: with a 25 MHz clock rate, goals of 0.1 Hz can be accomplished; with a 1 MHz clock rate, the AD9833 can be tuned to 0.004 Hz goals. The AD9833 is composed to by means of a 3-wire sequential interface. This sequential interface works at clock rates up to 40 MHz and is good with DSP and microcontroller norms. The gadget works with a power supply from 2.3 V to 5.5 V. The AD9833 has a shutdown capacity (SLEEP). This capacity permits segments of the gadget that are not being utilized to be shut down, along these lines limiting the present utilization of the part. For instance, the DAC can be shut down when a clock yield is being created.

CONCLUSION

The “Zapper” is one of the most innovative new treatment options. Having identified that everything emits its own unique frequency that exposing an harm organism present on human body to its own quality frequency can effectively destroy it. Our trademark frequencies are far from those of the pathogens that make us sick, so we can execute them electrically without unfavorably influencing ourselves. This should be possible by utilizing a recurrence generator that specifically devastates specific pathogens, parasites, infections or by utilizing a critic. A critic is an electronic gadget that keeps running on a 9 – volt battery and produces a positive balance recurrence it kills all parasites, microscopic organisms that it comes to all the while in 7 minutes. So that parasites or bacteria which can cause illness, can kill by using zapper.

REFERENCES

- [1] Dr. Hulda Regehr Clark (18 October 1928–2003 September 2009), and was a Canadian naturopath, author, and practitioner of alternative medicine, “zapping”, Canada in 1993.

ADVANTAGES OF PARASITE ZAPPER:

- With stabilized voltage as well as regulated process, Parasite Zapper provide a wide range of health benefits.
- It can successfully treat issues like Flu, Herpes, Diabetes, Asthma, Cancer, Heart diseases, Hemorrhoids, Pediatric diseases as well as a variety of other conditions.
- Parasitic Zapper is cheap and best solution for health problem.
- This kit does not have any side-effect when compared to today’s medicine.
- Even healthy persons can have benefit from regularly use of zapper, as the process detects toxins throughout the body to get new level of immune system.