

# A Paper on Regenerative Braking Systems (RBS)

Adarsha H, Abhijeet Nagraj

Faculty of Engineering and Technology, Jain (Deemed-to-be University), Ramnagar District, Karnataka - 562112

Email Id- h.adarsha@jainuniversity.ac.in, n.abhijeet@jainuniversity.ac.in

**ABSTRACT:** *Zero emanations creating and move the vehicle wheels with claim battery energy conceivable just by Electric vehicles. Energy transformation movement finishes with a little measure of heat lost as it were. These focal points impact globally made the electrical vehicle as to the new age transport for the car designing. Electric vehicles joined with regenerative slowing mechanism. Be that as it may, electrical vehicles on a single charge grouping genuinely not exactly the mechanized car. By this system, reuse energy about one-fifth of the energy, for the most part, lost throughput on the brakes. Absence of a genuine effect on the advancement and promotion of electric vehicle, to beat this obstacle spy including standard of energy recapturing strategy in the plan of electric versatility usable way. The system of the electric engine's braking strategy envelopes proselytes parts of active dynamism of car as an electric force while braking. This electric force goes to the battery for additional battery charges and electric versatility mileage builds contrasted with customary engines. When driving in decelerating the idleness of the vehicle wheels through the transmission of energy to go through to the engine, to control electrical building with the creating power away work revives for power battery and accomplish the recovery of braking energy. The force created over the span of the engine braking torque stays utilized over the transmission of the directing wheel brake, important in braking power.*

**KEYWORDS:** *Braking System, ECU, Electrical Vehicle, Regenerative Braking System, Safety Guidelines.*

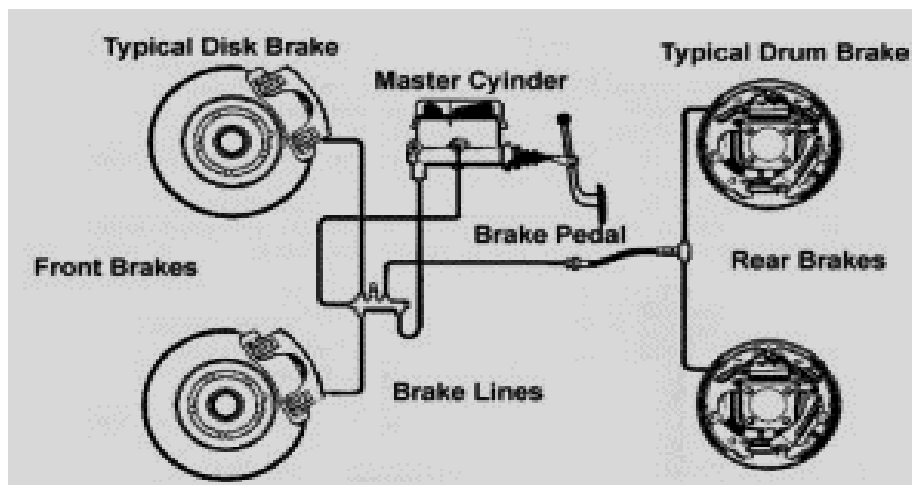
## INTRODUCTION

### 1. Old systems of Braking used in the Automobiles:

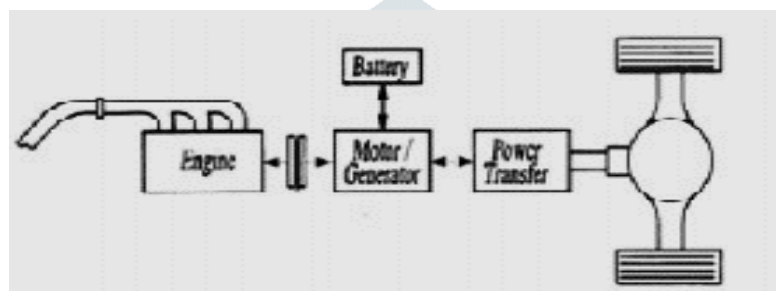
A moving car's term "braking" suggests that the brakes are used to slow down or halt events by typically weakening the pedal. The stopping distance is the time lag between the brake application as well as the possibility that the automobile will stop [1]. A grid is being used to kill a forward energy of a mobile vehicle by decelerating the normal vehicle mechanism. When the brake pads scrape against both the roller or the axle-related circle, heat energy is produced superfluously. This thermal energy spreads into the air and waste up to 30% of the power including its automobile [2]. Within a week of moment, the vehicle's ecological condition has been lowered by an instance of breakdown as well as wasteful higher heat energy. Figure 1 illustrates that far more energy from the engine is required to rebuild the power released by braking.

### 2. RBS in Automobiles:

Whenever we step on the brakes of our automobile, we are seen to waste energy each time. As we recognise, energy can neither be produced nor destroyed. It could only be changed at the start with the following design. Because when our car is down, the versatile energy that drives it must go somewhere in the right direction. Much of it is set to release as warmth but becomes unintentional. This energy, which could have been used for work, is squandered. The RBS is the game plan for this problem[3]. This somehow is also a kind of relaxing part, which can accumulate as well as transform a massive chunk of engine power generation into mechanical or electrical energy. [4]. Figure 2 shows the regenerative slowing mechanism.



**Fig. 1: old system of braking in the 4-wheelers**



**Fig. 2: Simple Regenerative Braking System**

Regenerative braking down is one of the creating advances of the vehicle business which can show to be very important. Using a restorative stop instrument in an automobile not only results in the energy recovery, but the efficiency of automobile but also extra energy items are also developed in the alliance rechargeable batteries. Driving a vehicle consolidates many slowing down occasions, because of which higher energy afflictions happen, with more obvious potential hold saves. With transports, taxis, development vans, etc there is widely constantly potential for the economy. As we comprehend that the regenerative slowing down, the proficiency is improved as it accomplishes an advancement in energy yield for a given energy obligation to a vehicle. The extent of work done by the engine of the vehicle is decreased, henceforth lessening the extent of the energy expected to drive the vehicle. The whole progress in the stop section regulates the motion of the car by turning several aspects of the dynamic energy to some other massive energy type [5]. This same energy transmitted could then be used as mechanical energy in flywheels or even as electricity in the rechargeable batteries, as well as the automobile can do that again.

A regenerative brake is an energy recovery framework that moves back a vehicle or thing some place close to changing over its dynamic energy into another construction, which can be either used rapidly or taken care of by a transient storing framework [6]. Whenever the automobile is to be animated, the set but apart energy can be transformed into engine power and then used. The extent to which the power accumulation digit is accessible changes according to such a threshold, driver efficiency and driving cycle as well as inaction weight. Because once distinct from it at greater automobile sprints the effect of regenerative breaks is reduced at lower speeds. In case of regenerative brake unhappiness, the scraping brakes are therefore required to stop the car.

## LITERATURE REVIEW

The composing scan focused generally on topics related to electric EV, HEV and FCHEV. We inspected the books related to generation, essential examination, and test research in detail using available programming. Likewise, a framework reliant on elective fuel sources has attempted fairly. Regardless, more highlight is put on composing related to fuel speculation finances objections rather than on characteristic save assets on an

overall temperature change and studies endeavored to decrease the pieces of risky spreads. The main records to allude here, this paper nuances the necessities and likely benefits of establishment headway, troubles and open entryways for the construction and sending of creating establishments related with PEVs. From collection of batteries to correspondence and cross-sectional control, producers had the option of reducing the fuel use, which is important in order to produce clean, shielded force.

The electric vehicles' movement as well as existing internal start engines and transversal power cars were depicted as well as distinguished by Holms et al. (2010). The study gives intricacies to the core focuses of electric vehicles as well as weaknesses, close to the future of imagination.

In an article on "electric vehicle of the 11th century," Eberhard and others attempted a Roadster EV of the maker Tesla with a battery with Li molecule for energy that could be handled from a well to a wheel [7]. Both good intensity into the well to the wheel but instead low voltages from well to wheel are present in the Tollra Roadster EV, and has a very different appearance in relation to fuel gas engines, hydro - power appliances, diesel cars, fuel engines, cross-variation gas/electric vehicles.

Santos et al. (2006) examined power converters and controls for electric balance, and discussed game plans right now progression[8]. The emphasis has been on issues relating to the framework as well as layout of the transmission system (control board), safety and train control. The evaluation vehicle used an engine of 11 KW - 48 V DC. Given that this engine needs a high-current evaluation of around 200A, safety issues in the proposed design were critical to determine. In order to accomplish safety as well as low power usage in accordance with engine actions requirements and also to modify movement of vehicles, DC-DC power converter topologies have been analyzed in detail. The whole article presents the explanation behind the need for another converter's variable output current control rather than the voltage regulation underneath a shock monitor/force common association. In ICE, motors, regulatory bodies including a few electric as well as mechanical sections are safeguarded and secured. The control strategy operation has been analyzed in particular the speed controller.

Chetan Kumaar Maini pointed out in his article for the possible necessity for the design as well as progression of an overall genuine negligible electric thought vehicle for India and contemplated that EVs are the most intelligent response for decline metropolitan pollution and a basic social and monetary benefit and will achieve the execution of EVs and HEVs. The report moreover portrays the work of governments and organizations all over in progressing and reviving EV programs.

The coordinated focus of dependency on Carlson et al. (2008) is an assessment of juxtaposition in fuel intermediates for two approaches of cream electric vehicles at widely trying to incorporate temperature (- 14 °C to -31 °C) metropolitan driving classes as of late described [9]. Due to the HEV fuel miles, modifications to implement high - temperature impacts on HEV operational skills in before the metropolitan areas, which were removed from its existing car progression, were explored for the roads. The analysis indicate that the power supply control as well as motor activity definitely carry at temp.

Chau as well as others managed to produce the best kilometres, less structural costs as well as amazing driving performance. The drive train board systems were already centred on power. In addition, force stream control is demonstrated for different HEVs.

Uzunoglu as well as other people in his paper depict the growth or showcase of the mixed vehicle power structures of power devices/ultra-capacitors (FC/UC), as well as enhancing power stream control techniques and model pervasiveness. At top strength or weight exchange, FC provided central strength and UC gave extra strength. We have examined colossal, exceptionally stunning as well as costly FC transformation frameworks to enhance organizational rationalization for automotive applications using PEMFCs in order to create a really careful model to prevent the FC problems. Tentative are being made to make models/executables, which can supply power, like fire up, amazing weight switch and accelerate under temporary work practices.

Ahluwalia as well as others found that 20 percent of the evaluated engine's output is the US standard drive cycle used for fuel use. He said that the power module is halfway more competent than the studied load. The producers have been studying the good judgment of the enhancement of the FCEV miles by direct hydrogen pressure FC Structure as a reverse energy shift as well as hybridization of the lithium particulate battery system as well as the automobile in other DOH drive).

### PRINCIPLE OF OPERATION

So as to guarantee the soundness and wellbeing of the brake, the unadulterated electric mining truck brake control system concentrated right now the mechanical braking mechanism and includes the regenerative braking mechanism on the front and back axles, as appeared in Figure 3. During braking, the brake ECU ascertains the braking power request as indicated by the brake pedal sign and transmits it to the vehicle ECU [10]. The vehicle ECU performs regenerative brake through the engine ECU and criticisms the regenerative braking power to the brake ECU. The brake ECU contrasts the required braking power and the regenerative braking power, decides the extent of the contact braking power, and modifies the water powered strain to accomplish compound braking of regenerative braking and contact braking.

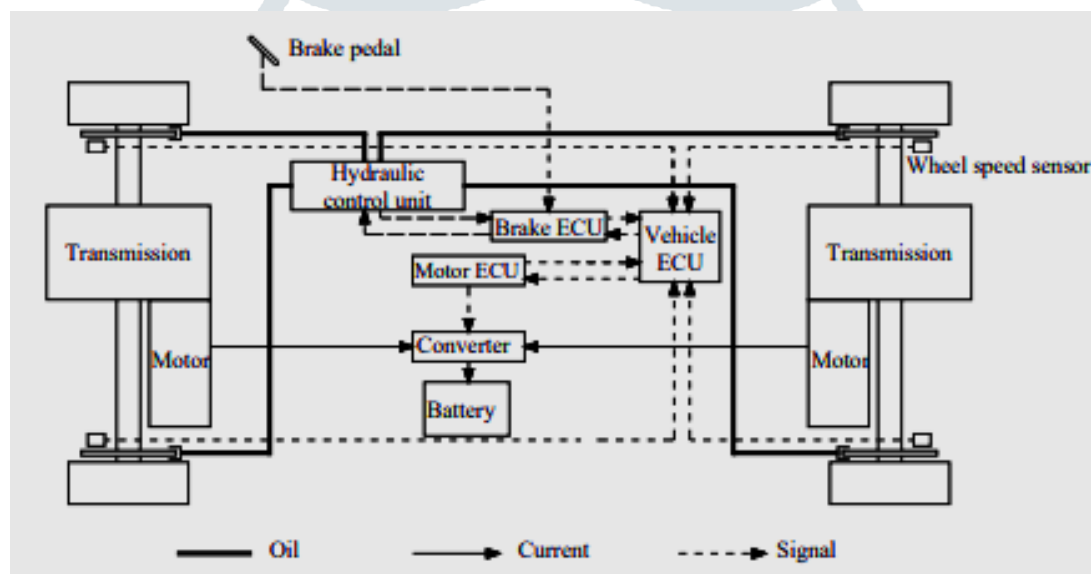


Fig. 3: Regenerative Braking Control System

### WORKING METHODOLOGY

The most remarkable type of renewable frequency is the electric motor as an electric generator. The functioning of the energy recovery framework relies on the battery powered motor's framework, which is really the key part of the frame. Whenever a couple of electric streams pass through all of it, the electric motor is triggered. That being said, when several external forces are used to determine the engine (during braking), it acts like a power source as well as generates power. This means that if the motor runs in one direction, the electric energy is converted into mechanical energy, which is then used to restart the vehicle, and if the motor runs in two directions, it acts as a generator, which converts mechanical energy into electrical energy, allowing the electric motors to be turned using the rotational force of the driving path. The battery is then energized by this power.

### CONCLUSION

The regenerative braking need technique to create four braking procedures in light of the Matlab/Simulink stage inserts them in the recreation model of unadulterated electric twofold hub four-wheel-drive mining dump truck created by ADVISOR 2002 to consider the attributes of regenerative braking energy recuperation of the unadulterated electric mining dump truck. The recreation results show that the regenerative braking need methodology received can make full utilization of the regenerative braking power that the vehicle can give and recoup all the more braking energy. The regenerative braking energy that the vehicle can recoup is relative to

the regenerative braking constrain it is allocated to and can give. For the unadulterated electric twofold shaft four-wheel-drive mining dump truck concentrated right now, the working pace is low, the braking quality isn't so enormous, the required braking power is little (particularly when the truck is vacant and downhill), which prompts low recovery effectiveness of the engine. Embracing the Ffmax methodology dependent on the front pivot braking power boosting, contrasted and the I bend and the  $\beta$ -line braking methodology which front and back pivot are braking at the same time, the braking proficiency of the engine can be improved and all the more braking energy can be recuperated. For the low-speed unadulterated electric mining truck, the moving opposition is a lot greater than traveler autos and it will devour more vehicle motor energy and potential energy during the little braking force of the vehicle and the long downhill procedure, along these lines, the recoverable braking energy is diminished. Right now, the regenerative braking technique, the vehicle can in any case diminish the energy utilization by 1.06%–1.56% (when the moving opposition  $f = 0.04$ ) or 4.76%–5.73% (when the moving obstruction  $f = 0.02$ ), which causes the financial presentation of the vehicle to improve. If the vehicle is completely stacked downhill, the regenerative braking energy recuperated will be more.

#### REFERENCES

- [1] M. Braun, Z. Lansky, G. Fink, F. Ruhnow, S. Diez, and M. E. Janson, "Adaptive braking by Ase1 prevents overlapping microtubules from sliding completely apart," *Nature Cell Biology*, 2011, doi: 10.1038/ncb2323.
- [2] M. Tops and M. A. S. Boksem, "Cortisol involvement in mechanisms of behavioral inhibition," *Psychophysiology*, 2011, doi: 10.1111/j.1469-8986.2010.01131.x.
- [3] X. Nian, F. Peng, and H. Zhang, "Regenerative braking system of electric vehicle driven by brushless DC motor," *IEEE Transactions on Industrial Electronics*, 2014, doi: 10.1109/TIE.2014.2300059.
- [4] C. Cimpan and H. Wenzel, "Energy implications of mechanical and mechanical-biological treatment compared to direct waste-to-energy," *Waste Management*, 2013, doi: 10.1016/j.wasman.2013.03.026.
- [5] T. van Keulen, B. de Jager, A. Serrarens, and M. Steinbuch, "Optimal Energy Management in Hybrid Electric Trucks Using Route Information," *Oil & Gas Science and Technology – Revue de l'Institut Français du Pétrole*, 2010, doi: 10.2516/ogst/2009026.
- [6] M. F. Fournier, R. Sauser, D. Ambrosi, J. J. Meister, and A. B. Verkhovsky, "Force transmission in migrating cells," *Journal of Cell Biology*, 2010, doi: 10.1083/jcb.200906139.
- [7] J. G. Hayes, R. P. R. De Oliveira, S. Vaughan, and M. G. Egan, "Simplified electric vehicle power train models and range estimation," 2011, doi: 10.1109/VPPC.2011.6043163.
- [8] R. P. Cameron and S. M. Barnett, "Electric-magnetic symmetry and Noether's theorem," *New Journal of Physics*, 2012, doi: 10.1088/1367-2630/14/12/123019.
- [9] M. A. Hannan, F. A. Azidin, and A. Mohamed, "Hybrid electric vehicles and their challenges: A review," *Renewable and Sustainable Energy Reviews*. 2014, doi: 10.1016/j.rser.2013.08.097.
- [10] S. Mallik, N. Ekere, C. Best, and R. Bhatti, "Investigation of thermal management materials for automotive electronic control units," *Applied Thermal Engineering*, 2011, doi: 10.1016/j.applthermaleng.2010.09.023.