

PNEUMATIC DAMPING PROSTHETIC LEG FOR ABOVE KNEE AMPUTEES-A REVIEW

¹Adithya V, ¹Amith R M, ¹Harshith S, ¹Jeevan S, ²Dharamendra M

¹UG Students, ²Assistant Professor

School of Mechanical Engineering, REVA University, Bangalore, India.

Abstract: Pneumatic damping prosthetic leg similar to a substitute of a characteristic leg who has lost the common leg because of different reasons. The primary rule engaged with this undertaking is utilization of pneumatic damping. People are highlighted in addition to other things, by biped-movement, which implies they are furnished with two regular lower appendages to walk. They are to ready to stroll, with a sensory system (programming) to arrange and direct stride activities, as a team with a muscle-skeletal framework (equipment) to execute them, For certain people, their reality is restricted in the equipment level. It is the situation of lower appendage amputees, who for any intrinsic issue, infection or disturbance endured in their lives, does not have a couple of legs to walk. This issue exists perhaps from the occasions when man showed up on earth, given that it alludes to the state of absence of a lower appendage, which influences the step of the human. So as the elective prosthetics legs (counterfeit legs) came as the need, on which different explores and improvements have been made by including different factors and need which can be finished substitute to regular appendages. This report comprises of different advancements of prosthetics over the course of the years by various materials; various instruments based various kinds of execution appraisal.

Index Terms – Damping, Biped-movement, Low Cost, Feed-back controlled, Amputation, Prosthetics, and Pneumatic cylinder, Microprocessor, Cybernetics and Gait Analysis

I. INTRODUCTION

Our venture is centered on planning and improvement of prosthetic leg advancement of above knee amputees. It is critical to know the kinds of appendage removal find out about the idea.

Lower appendage removal is of two sorts:

- ✓ Transtibial (beneath knee or essentially B/K)
- ✓ Transfemoral (above-knee or simply A/K)

Our undertaking is basically centered on A/K removal, the patient has lost the knee and he checks with a leftover appendage participate in his hip to control whichever be the prosthetic gadget that he uses to confront strolling once more. A great deal has been done from a century ago until the present, to foster a prosthetic innovation that permits transfemoral patients to recuperate a characteristic step. In this sense, our current work points consider the distinctive logical examination lines that have been created during this period to tackle this issue and recognize the exploration hole and make a reliable minimal expense prosthetic leg.

Other of the examination lines created as to knee prostheses, is the one which manages the evaluation of each model proposed. In this sense, stride investigation at lab has been uniquely valuable, not exclusively to describe the conduct of a specific sort of prosthesis, however to contrast it and the normal one or potentially some other prosthetic plan.

Execution Assessment on prosthetics legs on 3 fundamental elements:

- 1) Comparison between various prosthetic legs
- 2) Based on consumer loyalty
- 3) Based on step lab investigation

II. LITERATURE REVIEW

Throughout looking into the writing, a few distributions which appeared to sum up the group of accessible writing were recognized and utilized as the establishment for the blueprint above. These key articles likewise serve to feature significant repeating topics and issues all through the writing. In an audit of prosthetics and orthotics in agricultural nations Sankaran (1984) presents some broad standards. These incorporate a conversation of the sorts of gadgets and explicit segments endured in the creating scene, nature of removal medical procedure, cost, preparing, and creation factors, and the requirement for gadgets to empower patients to hunch down, and sit on the floor. This outline is trailed by an enormous table posting more than 500 urban communities around the creating scene where prosthetic/orthotic focuses are found, including a short documentation of the sort of work acted in each centre.[1]

The point of this examination was to analyze QOL among individuals in India utilizing lower-appendage prostheses or orthoses with individuals without handicap. A further point was to look at subgroups and research whether QOL was related with actual incapacity, sexual orientation, pay, living region, and schooling. In spite of recovery administrations, individuals with actual incapacity experienced lower QOL as far as the actual wellbeing, mental, and ecological areas than inhabited without inability. Local area based recovery programs for prosthetic and orthotic clients need to increment and improves their restoration administrations to build pay and improve admittance to schooling. Need could be given to the individuals who have no or sporadic pay, live in metropolitan ghettos, and have not gone to class to additionally improve their QOL.[2]

Lower appendage amputees can confront medical problems long after removal, and it is the thought and The executives of these issues those are critical to the supported wellbeing of each tolerant. We accept long haul musculoskeletal wellbeing relies upon the replication of the dynamic and versatile characteristics of common appendage development. The designing of nature is the excellent wellspring of motivation at the core of our profile mimetic plan theory where the advancement of grant winning prostheses is focused on the long haul wellbeing and prosperity of each amputee. The human lower leg and foot have four principle rocker focuses that permit us to walk productively. By thinking about the regular capacity of the foot and repeating its construction through a one of a kind blend of plan components, Blatchford Bio mimetic Hydraulic Technology gives a regular and liquid strolling experience. The human lower leg foot complex contains 28 bones and 33 joints that work in succession to give equilibrium, dependability and a consistent strolling experience. Blatchford water powered lower legs react to the plan details that normal development directs, adjusting joint situation to adjust the body for ideal stance and comfort.[3]

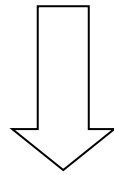
Three-dimensional (3D) printing is an imaginative innovation being used to make prostheses for people with appendage misfortune. Nonetheless, there is a lack of exploration on the practicality of utilizing this innovation to manufacture prostheses. A perusing audit was directed to plan the writing on 3D printing furthermore, its applications in the field of removal. The utilization of 3D printing innovation has various advantages for improving the assembling interaction of gadgets for individuals with lower and upper appendage misfortune. Nonetheless, more examination and innovative progressions are needed to completely comprehend the effect of this innovation on patients and what it will mean for their everyday life. The drawnout impacts of this innovation will Likewise should be explored to create a more practical option to conventional prosthetic.[4]

During the 1970s, research in the field of mechanized knee joints started in the college climate. The last part of the 1980s and mid 1990s, different prosthetic organizations started dealing with the primary business Microchip controlled knee joints. The underlying electronic plans zeroed in on having the Microchip control and impact the swing period of walk—the hour of step that starts when the foot Leaves the floor as the knee is flexing and closes when that equivalent foot contacts the ground again at impact point- Strike. These underlying frameworks got blended acknowledgment inside the medical services and amputee local area. Since albeit the knees sped up and improved the capacity to change strolling speeds. Rapidly, the knees didn't furnish any improvement over existing innovation with respect to dependability and Security during position period of step—when the prosthetic foot is in touch with the ground from Heel-strike to toe-off.[5]

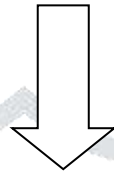
Progressed prosthetic knees take into consideration more unique developments and improved personal satisfaction, yet payers have as of late began scrutinizing their worth. To address this inquiry, the differential clinical results also, cost of chip controlled knees (MPK) contrasted with non-microchip controlled knees and (NMPK) surveyed. The outcomes showed that contrasted with NMPK throughout a 10-year time-frame: for each 100 people, MPK brings about 82 less major damaging falls, 62 less minor harmful falls, 16 less rates of Osteoarthritis, and 11 lives saved; on a for every individual each year premise, MPK diminishes direct medical care cost by \$3676 and backhanded expense by \$909, yet builds gadget procurement and fix cost by \$6287 and absolute expense by \$1702; on a for each individual premise, MPK is related with a steady all out cost of \$10,604 and builds the quantity of life years by 0.11 and quality changed life years by 0.91. MPK has an ICER proportion of \$11,606 per quality changed life year, and the monetary advantages of MPK are strong in different affectability analyses. [6]

III. METHODOLOGY

We will join a corresponding solenoid valve controlled water powered damping framework in a mechanical knee, with a power sensor at the foot which distinguishes the pressing factor applied by the amputee



Change the damping opposition at the knee which empowers to bolt the knee joint at any point and position correspondingly, with the goal that amputee can move the heap to the ground even in a twisted situation of the leg



Packed fluid inside the cylinders assimilate stun during the position period of strolling give strolling help during beginning of the swing period of strolling and depletes less energy

IV. EXPERIMENTAL WORK

The exploratory arrangement of the prosthetic leg is arrangement as follows.

There is a socket which will be fitted into the amputee which holds the entire hardware set up. At that point comes the knee joint which goes about as an associating span between the attachment and the remainder of the arrangement going to the rest of the arrangement there is a battery and a microcontroller in turn associated with pneumatic piston which will associated with spring and force sensor which is feedback controlled.

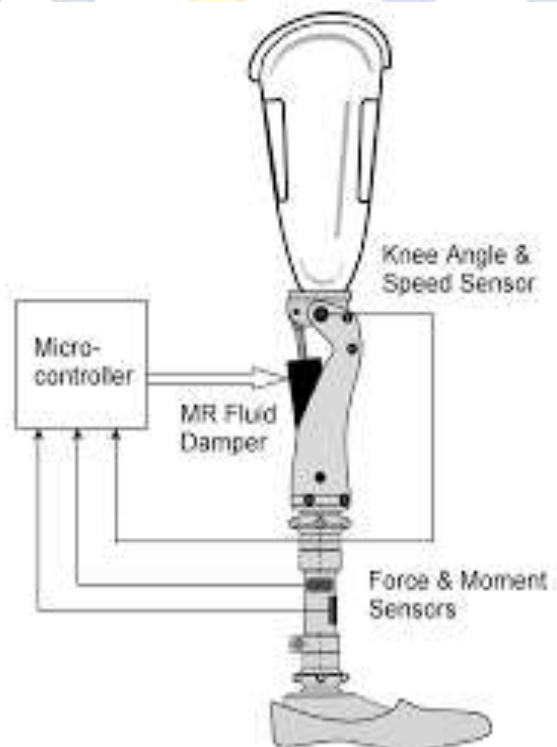


FIG 1-CONCEPT

4.1 PARTS OF PNEUMATIC DAMPING PROSTHETIC LEG**a. SOCKET****FIG 2- SOCKET**

It is made of thermoplastics by setting up a form according to prerequisite and has strung opening in base for attachment. It has likewise has opening so subsequent to embeddings the leg inside the attachment air is taken out.

b. KNEE JOINT**FIG 3-KNEE JOINT**

Knee joint is the place where the development is given for legs, the joint is moved typically from the push given from the hip development. It had stringing at the top to get connected inside the attachment. So This strung secures helps joining the attachment and the leg.

c. PROPORTIONAL SOLENOID VALVE-220v 5/2 way**FIG 4- PROPORTIONAL SOLENOID VALVE-220v 5/2 way**

A 5/2 way directional valve from the actual name has 5 ports similarly divided and 2 stream positions. It very well may be use to segregate and at the same time sidestep an entry path for the liquid which for instance ought to withdraw or expand a twofold acting chamber.

d. Hydraulic cylinder**FIG5-HYDRAULIC CYLINDER**

200 mm stroke pressure driven chamber, valve nipple $\frac{1}{4}$ inches, pipe 8-10mm. Fluid utilized in chamber is water glycol of proportion.

e. MICROCONTROLLER with Arduino Board**FIG 6-ATMEG328P MICROCONTROLLER**

ATMEGA328P is elite, low force regulator from Microchip. ATMEGA328P is a 8-digit microcontroller dependent on AVR RISC design. It is the most mainstream of all AVR regulators as it is utilized in ARDUINO sheets

f. BATTERY**FIG 7-BATTERY 9V**

9volts, 7Ah Lithium Ion .Battery upholds microcontroller to convey messages

g. SPRING

Spring is joined to the toe of uni-pivotal knee to offer help.

h. FORCE RESISTING SENSOR



FIG 8-FORCE RESISTING SENSOR

The functioning rule of a FORCE sensor is that it reacts to the applied power, just as converts the worth to a quantifiable amount. These contain a conductive polymer film, which changes its opposition in an anticipated way whenever power is applied on a superficial level.

4.2 CIRCUIT DIAGRAM

The Beneath CIRCUIT Outline Includes the Course of action to be made in the Prosthetic leg for the Appropriate Working and Proficient working of the Item.

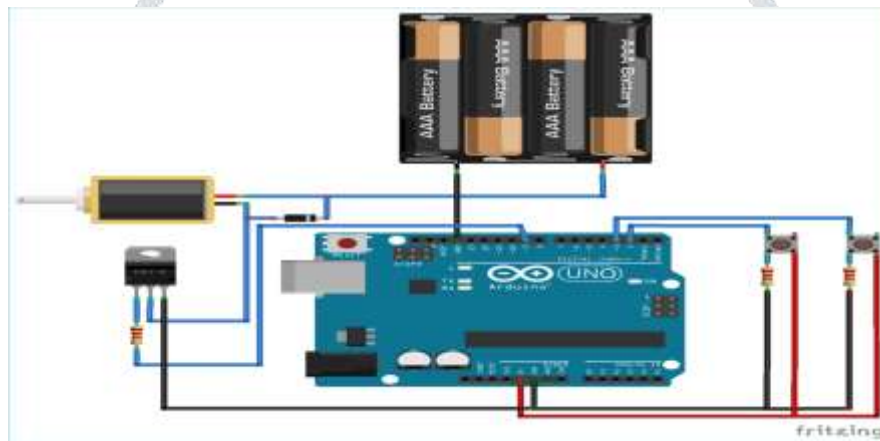


FIG 9-CIRCUIT

V.CONCLUSIONS:

The conclusions of the work are as follows:

- The first line is pointed essentially at plan of prosthetic gadgets for supplanting the characteristic knee and rewarding the A/K amputee the chance of strolling.
- In this sense, there is a gigantic assortment of proposition, which are separated between one another by highlights like the working system, the materials the segments are made of, the sort of actuator or innovation utilized, and so on.
- Various elements have likewise been taken of care while advancement, ongoing advances has been incorporated with artificial intelligence and mechanical technology.
- In India there is right now uni-hub knee, Jaipur appendage, remotion appendages are utilized by individuals.
- Technology in prosthetics has been creating over years criticism frameworks has been remembered for electronic prosthetics, utilization of bio-mechatronics with the appraisal of control frameworks and stride lab examination.
- Prosthetics of fundamental input level costs almost 8-10lakh in Indian rupees; innovation isn't available to individuals of all the class.
- From the issue definition our venture is a basic water driven upheld criticism-based prosthetic which is of extremely minimal expense and of high esteem and tackle lion's share of issues to amputees in getting back the ordinary step.

REFERENCES

- [1] D. Cummings.1996. Prosthetics in the developing world: a review of the literature. Prosthetics and Orthotics International 20:51-60
- [2] Lina Magnusson.2016. Quality of life of prosthetic users in south India. BMC-Part of springer Nature. Article Number:50
- [3] Blatch Ford.2016 Hydraulic Ankles. Blatchford Products Limited, Unit D Antura, Kingsland Business Park.

- [4] Danielle Riberio. 2018. 3d Printing and amputation and review.
- [5] Michael J. W 2016.Modern prosthetic knee mechanisms.
- [6] Christine chen.2018. Economic benefits of microprocessor controlled prosthetic knees: a modeling study.Journal of NeuroEngineering and Rehabilitation.15(1). Article number: 62
- [7] A Darn borough.1989. Alternative limb making: the manufacture and fitting of low cost below knee prostheses.London: AHRTAG.
- [8] Saugmann-Jensen J.A.1959. Preliminary report on the economic aspects of providing prostheses. Braces and technical aids Prostheses Braces Tech Aids.
- [9] Upadhaya M, Sharma SR, Sharma S.1988. Structural modification of "Jaipur foot" with high density polyethylene shank.
- [10] Murray, M, Mollinger, L., Sepic, S. and Gardner G.1983. Gait Patterns in above-knee amputee patients: hydraulic swing control vs. constant-friction knee components", Archives of Physical Medicine and Rehabilitation.
- [11] Roy K. 2005.Powered prosthetics: clinical outcome of unprecedented function.2005 Journal of Proceedings of the Microprocessor Knee Symposium of the American Academy of Orthodontists and Prosthetics -2005

