

A Study on Capillary Electrophoresis and Its Application

Dr Mohd Irfan, Shivangi

SOBAS, Sanskriti University, Mathura, Uttar Pradesh, India

Email Id- irfan.sobas@sanskriti.edu.in

ABSTRACT: *Capillary electrophoresis, which first debuted in the early 1980s, is now widely used in a variety of scientific fields. Analytical chemistry, biotechnology, and biomedical as well as pharmaceutical sciences are only a few examples. Capillary electrophoresis is a kind of capillary electrophoresis. At high voltages, electro kinetic separations are carried out in small capillaries). As a result, great efficiencies and exceptional mass sensitivities are obtained. The diversity of application (from inorganic ions to huge DNA fragments) and the employment of multiple separation modes with variable selectivity are the key aspects of capillary electrophoresis. Extremely low sample volume requirements, minimal operating expenses, the ability to interface with a variety of detecting systems, and the instrumentation's robustness and simplicity Applications of capillary electrophoresis in forensic sciences are relatively new. However, they are currently quickly expanding, notably in the field of forensic toxicology. The basic concepts of capillary electrophoresis are briefly described in this work, from both an instrumental and analytical standpoint. It is determined that capillary electrophoresis is a new potent investigative tool in the hands of forensic toxicologists due to its unique separation process and excellent complementarity with chromatography.*

KEYWORDS: *Capillary Electrophoresis, Electrophoretic Mobility, Separation.*

1. INTRODUCTION

Capillary electrophoresis is an analytical method that uses an applied voltage to separate ions depending on their electrophoretic mobility. The charge of the molecule, the viscosity, and the radius of the atom all affect electrophoretic mobility. The speed at which the particle moves is directly proportional to the strength of the applied electric field; the stronger the field, the quicker the particle goes. Only ions move with the electric field neutral species are unaffected. When two ions of the same size have the same charge, the one with the higher charge will travel faster. The smaller particle has less friction and hence a quicker migration rate for ions of the same charge. Capillary electrophoresis is the method of choice since it produces quick results and allows for high-resolution separation. It's a helpful approach because there are so many different detection algorithms to choose from. One of the ways for analyzing complicated materials is capillary electrophoresis (CE). The separating force in High Pressure Liquid Chromatography (HPLC) and Gas Chromatography (GC) is the difference in sample component affinity for a stationary phase, as well as the difference in boiling point. The polarity of a sample component is the most significant aspect in both methods. The difference in charge to size ratio is the separation force in CE. The separation will be accomplished by the electric field, not by a flow through the column[1].

A capillary is filled with such a conductive fluid at a certain pH value in Capillary Electrophoresis. This is the buffer solution that will be used to separate the sample. Either via pressure injection as well as electro kinetic injection, a sample is injected into the capillary. A high voltage is applied to the capillary, and the sample components move (migrate) through the capillary at various rates as a result of this electric field (up to 300 V/cm). Negative components move to the positive electrode whereas positive components migrate to the negative electrode. When using a detector to observe the capillary at a specific location, the rapid components pass first, followed by the slower components.

1.1. Setup of the instruments:

The equipment required for capillary electrophoresis is quite straightforward. A capillary electrophoresis apparatus in its most basic form. A sample vial, source and destination vials, a capillary, electrodes, a high - voltage supply, a detector, as well as a data output and handling device are the primary components of the system. An electrolyte, such as an aqueous buffer solution, is poured into the source vial, destination vial, or capillary. The capillary inlet is inserted into a vial containing the sample to introduce it. Capillary action, pressure, syphoning, or electro kinetics are used to enter sample into the capillary, which is subsequently returned to the source vial. An electric field is applied between the source and destination vials, and it is provided to the electrodes by the elevated power supply, which causes the analytes to migrate[2]. Electroosmotic

flow pulls all ions, positive and negative, through the capillary in the same direction in the most frequent mode of CE. Because of their electrophoretic mobility, the analytes segregate as they travel and are detected near the capillary's output end. Instruments having arrays of capillaries are used to evaluate several samples at the same time to increase sample throughput. The input ends of the capillary are arranged spatially to receive samples directly from SBS-standard footprint 96-well plates, and certain capillary array electrophoresis (CAE) equipment with 16 or 96 capillaries are used for medium- to high-throughput capillary DNA sequencing. Certain parts of the instrumentation (such as detection) must be more complicated than in a single-capillary system, but the design and operating concepts are comparable, shown in Figure 1.

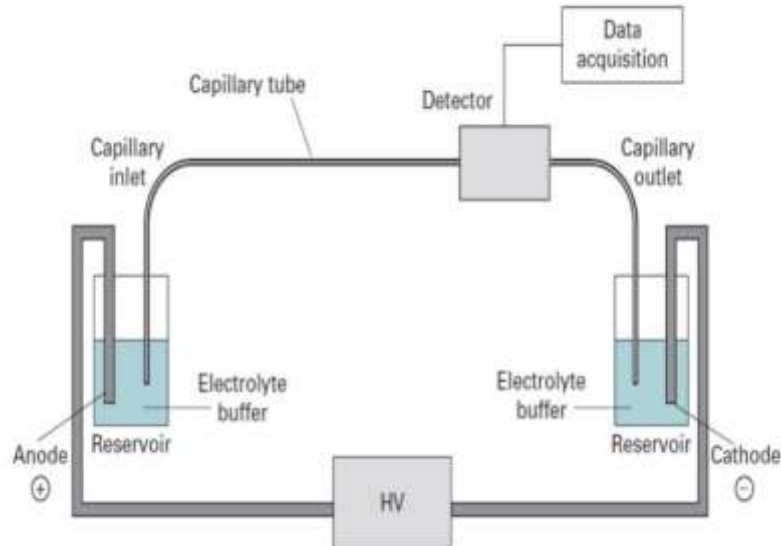


Figure 1: Illustrate diagram show the working of capillary electrophoresis [1].

1.2.Principle of capillary electrophoresis:

1.2.1. Mobility

a component's speed (mobility) is determined by its size and charge. The size is determined by the sample component and the water shield that is attached to it. Due to the huge water barrier, even a tiny ion (such as Fluoride, F⁻) might be massive. The larger the component, the slower it will migrate through the buffer in general.

The charge of ions can be greatly influenced by pH. For separations, this is why a buffer with a certain pH is employed. At pH 7, acetic acids, for example, will be virtually entirely negative charged. Acetic ions will have a high mobility (speed). The mobility will be significantly reduced at pH 3, when roughly 80% of the acetic acid is neutral. The mobilities of the various components can be changed by altering the pH of a buffer solution to obtain the optimum separation. In general, the optimum pH for separating sample components is between their pK values[3].

The capillary that is utilized in most applications is constructed of bare fused silica. This substance has silanol groups on its surface (Si - O - H). These are mildly acidic groupings. There are a lot of negative charges at the capillary in buffers with higher pH values. Because of the rule of electrical neutrality, positive charges will be present in the buffer fluid. Whenever a high voltage is applied to the capillary, the positive charges in the capillary begin to migrate towards the negative electrode. The buffer fluid will be dragged behind them. The (Electro) Endo Osmotic Flow is what this flow is termed (EOF). Calculating the mobility of this EOF is straightforward. The more negative charges on the capillary wall there are, and the more positive ions there are in the fluid, the higher the pH. As a result, the EOF will be higher.

There is no pressure in the middle of the capillary since all of the positive charges are near to the capillary wall. As a result, the EOF's flow profile is perfectly flat. This eliminates the peak widening that occurs in HPLC and GC due to the parabolic flow profile, which is one of the reasons why CE can reach such high resolution. According to the previous statement, the EOF is directed towards the negative electrode. As a result of this flow, neutral components (which would not migrate in the absence of fluid flow) and even positive components (whose mobility is lower than the EOF's mobility) will migrate towards the negative electrode as a result of this flow. Negative, neutral, and positive components can be isolated and identified in a single run this manner.

1.2.2. Detection:

Separation by capillary electrophoresis can be detected by several detection devices. The majority of commercial systems use UV or UV-Vis absorbance as their primary mode of detection. In these systems, a section of the capillary itself is used as the detection cell. The use of on-tube detection enables detection of separated analytes with no loss of resolution. In general, capillaries used in capillary electrophoresis are coated with a polymer (frequently polyimide or Teflon) for increased flexibility. The portion of the capillary used for UV detection, however, must be optically transparent. Both of these methods, however, will decrease the resolution of the separation. When a smooth aneurysm is created in the wall of a capillary by heating and pressurisation, this reduction is essentially imperceptible because plug flow is retained. The larger cross-section of the analyte in the cell allows for a twice-as-large illumination beam, which decreases shot noise by a factor of two when combined with a UV absorbance detector. These two elements together enhance the sensitivity of Agilent Technologies Bubble Cell CE Detector by six times over a straight capillary detector. Indirect detection is 'universal' (but frequently too non-specific) and does not necessitate any changes to the instrumental hardware. The sensitivity is 1-2 orders of magnitude lower than the comparable "direct" detection mode, and the range of linearity is smaller. Other detection systems used in CE include laser-based thermo-optical detection, refractive index detection, radioisotope detection, and, most famously, mass spectrometric (MS) detection, which is also used in the MS-MS configuration. Because the information given by MS approaches is so important in nearly all analytical settings, a lot of work has gone into developing interfaces between CE and MS.

1.2.3. Resolution:

In CE data, very good resolution implies producing crisp peaks with appropriate separations between them. The inherent velocity difference between two different molecules is compounded by the separation distance to get peak spacing. This inherent velocity differential, in turn, is influenced by the molecule's physical characteristics as well as the separation medium (e.g., composition, concentration, and ionic strength). The primary contributions to the peak width are diffusion, thermal gradient, and starting peak width. These three variables are primarily influenced by electric field strength, capillary diameters, and polymer concentration. But, as a result of the increased heat created when the electric current is delivered through the capillary, it should result in an increase in peak dispersion (Joule heat). For lengthy sequencing reads, the electric field strength should be 150 V/cm or below. The diameter of the capillary, on the other hand, has an impact on the efficiency with which it dissipates Joule heat. The lower the temperature gradient and, as a result, the peak width, the narrower the capillary. The resolution does not increase when the capillary diameter is reduced to less than 50 μm , showing that factors other than the temperature gradient affect the peak width in smaller capillaries[4].

1.3. Procedure of Capillary electrophoresis:

- Pour the sample solution into the tube.
- Use a high voltage injection or a pressure injection to apply the sample.
- Apply a 20kV high voltage.
- The proteins are influenced by two forces: first, the attraction of negatively charged proteins to the positive electrode anode, and second, an electro-osmotic force (EOF).
- EOF attracts all molecules to the cathode, regardless of charge.
- Positively charged molecules migrate quicker than negatively charged molecules during this process. A UV monitor is used to detect resolved molecules, and the signal is recorded in a recorder.
- Plotting the signal over time yields a capillary electrophoretogram.

1.4. Capillary Gel Electrophoresis:

Biopolymers with a constant charge-to-size ratio, such as RNA, DNA, or sodium dodecyl sulphate (SDS)-loaded proteins, have a unique scenario in which the rise in charge is proportional to the increase in molecule size. In free solution, molecules with a constant charge-to-size ratio may have extremely comparable electrophoretic mobilities, resulting in no electrophoretic separation. Separations are carried out in capillaries filled with a gel solution in these situations. As solutes of varying sizes migrate through the gel-filled capillary toward the detector in capillary capillary electrophoresis (CGE), a sieving action occurs. Smaller ions may move through the gel fast, but bigger ions become entangled in the gel matrix and slow down their migration. Initially, the polyacrylamide gels employed in CGE were covalently linked to the capillary wall. These permanent gels, on the other hand, were prone to shrinkage and obstruction, and their lifespans were limited. Furthermore, if the gel was contaminated by sample components, it could not be reused and had to be destroyed. Pumpable gel

solutions, which may be used to fill the capillary with a non-cross-linked liquid gel matrix in which holes are formed by the tangling of long linear polymers, have recently become popular. These have the benefit of being injected into the capillary at a low pressure, prolonging the capillary's life. Liquid gels also allow for the replacing of the gel between injections, which eliminates the contamination issues that might occur with fixed gels[5].

1.5.Application of CE to biomedicine:

Many human illnesses are caused by small changes in gene DNA sequences, including cancer, diabetes, heart disease, myocardial infarction, atherosclerosis, cystic fibrosis, as well as Alzheimer's disease. Many forms of mutations and polymorphisms occur in DNA sequences, including nucleotide substitutions, sequence deletion or insertion, variations in a variable number of tandem repeat (VNTR) region, and instability of microsatellite repeat sequences. CGE is an especially effective technique for analyzing DNA fragments for diagnostic reasons. Some modified PCR techniques, restriction fragment length polymorphism (RFLP), single-strand conformation polymorphism (SSCP), VNTR, and short tandem repeats (STRs) analysis, as well as hybridization techniques, are currently available for the analysis of mutations and polymorphisms in the genome[6].

1.6.Applications of CE in forensic toxicology;

Pharmaceutics and bodily fluid analysis are among CE's fastest-growing applications. A few years ago, specific uses for illicit or regulated substances began to develop. While they remain restricted at the moment, they are expected to grow in the future. therefore, unable to provide a complete update on this innovative analytical method, which has been somewhat obscure in analytical toxicological disciplines until now.

1.7.Future advancements and applications:

In the near future, CE analysis will undergo significant improvements in terms of speed, sensitivity, and resolving power. Continue with the present trend of making CE easier and cheaper for fundamental as well as clinical research Single cells and subcellular compartments will also receive increasing attention in the chemical examination of single cells. Because of this, downsizing of CE systems will increase along with the advancements in the CE microchip technology and its applications[7].

LITERATURE REVIEW

John M. Butler, et al. studied about It is possible to amplify particular sections of DNA using the polymerase chain reaction (PCR) in samples that have a little amount of DNA. In order to guarantee that there is enough DNA accessible for examination, a quantitative study of the PCR result would be desirable. Researchers in this work looked at using capillary electrophoresis (CE) with laser fluorescence detection to measure PCR products' quantities. Results were obtained within 20 minutes using a coated open tubular capillary with a non-gel sieving buffer and a fluorescent intercalating dye. When comparing peak migration time to an internal benchmark, the R.S.D. was less than 0.1 percent, and the peak area precision was less than 3 percent. Due to its capacity to separate unincorporated primers as well as PCR byproducts from the intended PCR result, capillary electrophoresis offers distinct benefits over quantification by hybridization and spectrophotometric analysis. PCR product quality and quantity may be monitored using CE, according to the results[8].

Wallingford RA, et al. discussed about electrode sorption in capillary tubes Capillary electrophoresis methods are rapidly evolving for a wide variety of molecules and sample types. There is no doubt that capillary separations are quick and extremely efficient in the capillary format, which makes automation viable. As of right now, systematic approaches to isolation methodology are still being researched and improved detection schemes need to be created in order to be successful. The use of electrophoresis in a capillary tube will replace HPLC in some applications. Especially when analysis time, efficiency or simplicity are the most important considerations. Nucleotide and protein separations using capillary electrophoresis will be highly beneficial in biotechnology. Last but not least, because capillary electrophoresis may be used with ultra-small samples, it is excellent for the creation of separation-based sensors for the study of microenvironments[9].

Kelly Swinney et al. studied online capillary electrophoresis (CE) detection methods. There are benefits and disadvantages to each detection technology, including fluorescence, absorbance (conventional and nonconventional), electrochemical and refractive index. On the other hand, a perspective on the application of CE detection is offered. A broad range of detection limits (from single molecules to 10⁻⁵ M) and the complexity of detection schemes mean that the specific application should decide which detection method is used in CE[10].

DISCUSSION

Using a voltage, capillary electrophoresis separates ions depending on their electrophoretic mobility. Molecular charge, viscosity, and atom radius all affect electrophoretic mobility. Electric fields have a direct effect on the particle's mobility. The stronger the applied electric field, the quicker the particle travels. It's been around since the early 1980s, but capillary electrophoresis is currently being used in a wide variety of scientific fields, as well as analytic chemistry Pharmacy and biomedical sciences. For example, in capillary electrophoresis. High-voltage electrokinetic separations are performed in small capillaries (10—30 kV). high efficiency and good mass sensitivities may be achieved. Applications of capillary electrophoresis in forensic sciences are relatively new. in recent years, notably in forensic toxicology, they have been on the rise. The basic concepts of capillary electrophoresis are briefly described in this work, both from an instrumental and analytic standpoint. Capillary electrophoresis is a strong new investigative tool for forensic toxicologists because of its unique separation process and excellent complementarity to chromatography.

CONCLUSION

An examination of both confiscated illegal drug formulations as well as biological samples has shown that CE is a useful new analytical technique. This technique is unique in the world of current analytical technology because of its electrophoretic and/or chromatographic separation processes, low sample and reagent consumption, ease of use, and various detection modes. In the forensic context, the ability to interact with mass spectrometry is an important aspect of CE. Capillary electrophoresis is a strong new investigative tool for forensic toxicologists because of its unique separation process and excellent complementarity to chromatography. The basic concepts of capillary electrophoresis are briefly described in this work, from both an instrumental and analytical standpoint. It is determined that capillary electrophoresis is a new potent investigative tool in the hands of forensic toxicologists due to its unique separation process and excellent complementarity with chromatography.

REFERENCES:

- [1] S. F. Y. Li and Y. S. Wu, "Capillary electrophoresis," *Anal. Chem.*, vol. 60, no. 20, pp. 1176–1187, 1988, doi: 10.1021/ac00171a002.
- [2] F. Tagliaro, S. Turrina, and F. P. Smith, "Capillary electrophoresis: Principles and applications in illicit drug analysis," *Forensic Sci. Int.*, vol. 77, no. 3, pp. 211–229, 1996, doi: 10.1016/0379-0738(95)01863-8.
- [3] X. Páez and L. Hernández, "Biomedical applications of capillary electrophoresis with laser-induced fluorescence detection," *Biopharm. Drug Dispos.*, vol. 22, no. 7–8, pp. 273–289, 2001, doi: 10.1002/bdd.277.
- [4] F. Tagliaro, J. P. Pascali, and S. W. Lewis, "Capillary Electrophoresis in Forensic Chemistry," *Encycl. Forensic Sci. Second Ed.*, vol. 56, no. 3, pp. 567–572, 2013, doi: 10.1016/B978-0-12-382165-2.00243-9.
- [5] B. Sanchez-Vega, "Capillary electrophoresis of DNA biomedical applications," *Mol. Biomethods Handb. Second Ed.*, pp. 65–87, 2008, doi: 10.1007/978-1-60327-375-6_6.
- [6] S. J. Scharf, G. T. Horn, and H. A. Erlich, "Direct cloning and sequence analysis of enzymatically amplified genomic sequences," *Science (80-.)*, vol. 233, no. 4768, pp. 1076–1078, 1986, doi: 10.1126/science.3461561.
- [7] A. Hemsley, N. Arnheim, M. D. Toney, G. Cortopassi, D. J. Galas, and L. Angeles, "volume 17 Number 16 1989 Nucleic Acids Research A simple method for site-directed mutagenesis using the polymerase chain reaction," *Biosystems*, vol. 17, no. 16, pp. 6545–6551, 1989.
- [8] J. M. Butler, B. R. McCord, J. M. Jung, M. R. Wilson, B. Budowle, and R. O. Allen, "Quantitation of polymerase chain reaction products by capillary electrophoresis using laser fluorescence," *J. Chromatogr. B Biomed. Sci. Appl.*, vol. 658, no. 2, pp. 271–280, 1994, doi: 10.1016/0378-4347(94)00238-X.
- [9] E. A. Wallingford RA1, "Capillary electrophoresis,," 1989.
- [10] D. J. B. Kelly Swinney, "electrophoresis," 2000.