

# The Brief Review on the Underground Cable Error Recognition

Ruchi Sharma, Associate Professor

Department of Electronics & Communication Engineering, Vivekananda Global University, Jaipur

Email Id- sharma.ruchi@vgu.ac.in

**ABSTRACT:** *With the advancement of the intensity framework matrix, underground cables have been widely used. Because of subterranean circumstances such as moisture and temperature, underground connections are prone to a broad range of faults. Recognizing the source of the problem is difficult since the whole line must be investigated to check for a defect at the connection line. The engineers who will fix and repair the defective component will know exactly which section has a problem, and that zone will be burrowed to identify the cause of the fault. As a result, it saves time, money, and allows faster support of subterranean connection lines. The goal of this assignment is to determine the distance in kilometers of the subterranean link problem from the base station. In this assignment, we suggested using Arduino to create a defect limitation model for subterranean link lines. The purpose of this article is to determine the distance between the base station and the subterranean link shortfall in kilometers. We used a fundamental concept of ohm's low resistance in this project.*

**KEYWORDS:** Detect, Fault, Under Ground, Money, Repairman.

## 1. INTRODUCTION

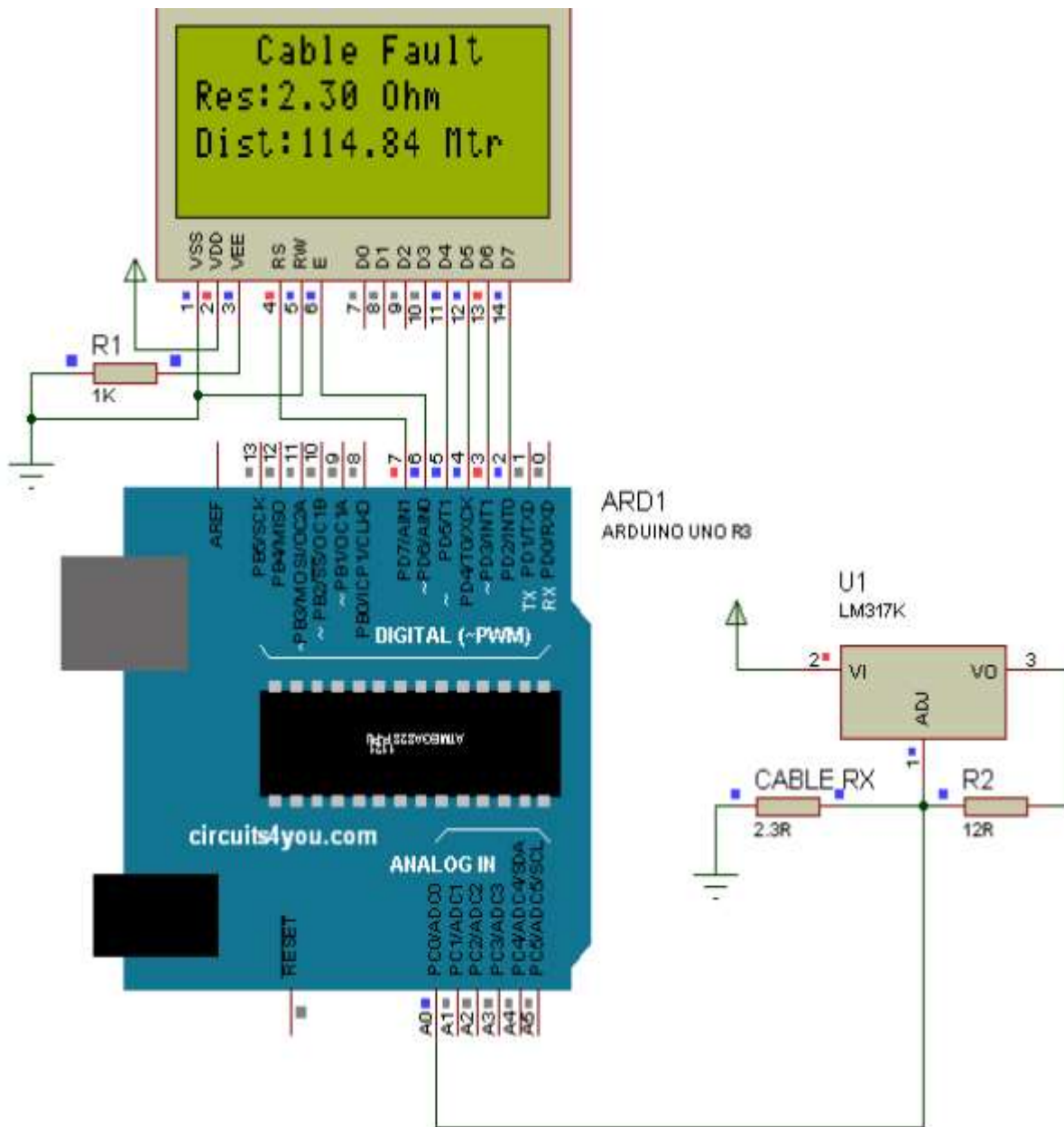
In this assignment, we suggested using Arduino to create a defect limitation model for subterranean link lines. The purpose of this article is to determine the distance between the base station and the subterranean link shortfall in kilometers [1]. We used the fundamental concept of ohm's low in this project. When a problem occurs in the framework, the distance placed on fluid gem shows (LCD). Until the last decade, connections were designed to be placed above the head, and there is currently no subterranean link that is higher than the previous approach.

Unfavorable weather conditions, such as storms, days off, downpours, and pollution, have no effect on subterranean lines, but when a fault occurs in underground lines, it is difficult to locate the fault. We'll pinpoint the exact location of the deficit. Because the world has become more digital, the challenge now is to pinpoint the precise location of the problem in a computerized framework. In many urban areas, underground cabling infrastructure is becoming increasingly common.

Despite the fact that the problem occurs for unknown causes, the maintenance cycle for this particular link is difficult due to the fact that the exact region of the link failure is unclear. Shortcomings in a link may be classified into two groups: Deficiency on the open circuit: - There is no current in an open circuit deficit because there is no leading complete circle for current streaming, which is  $I=0$ . The supply voltage is equal to the yield voltage in this case. Impedance is inferior than open circuit shortcoming. Fault Identification in Underground Cables: Design and Implementation was presented.

Using the Internet of Things The goal of this project is to calculate the distance of an underground connection problem from the base station in kilometers and display it on the internet. Underground connection structure is a common occurrence in major areas of metropolitan areas. When a defect occurs for unknown causes, the subsequent repairing cycle associated with that particular connection is difficult due to the precise unclear region of the link's deficit [2].

A four-line display, an Arduino, and a resistance measuring circuit make up the circuit. Low value resistance measurement is a key component of the underground cable fault detection circuit. A continuous current source of 100mAmps is used to build it. Because the cables have a resistance of approximately 0.01 Ohm/meter, it may detect extremely low values of resistance. The resistance of a 10-meter cable drops to 0.1 Ohm. This circuit can verify cable lengths up to 25000 meters and test resistance up to 50 Ohm.



**Figure 1: Underground Cable Fault Detection Circuit[3].**

*1.1 Arduino Based Underground Transmission Cable Fault Location System:*

The transmission line shortfall region requires a significant amount of human effort and resources. Normally, this cycle is laborious, especially because digging the connection poses a risk of damaging the protection. By automating the cycle of deficit detection and area, this article provides a simple and safe alternative. The fundamental concept of OHMs law is used in this project, where a low DC voltage is supplied at the feeder end through an arrangement resistor.[4]

If there is a short out of LL or 3L or LG, for example, the current will vary depending on the length of the link's deficit. The arrangement resistor voltage hangs alters as well, indicating the precise region of the insufficiency for the cycle of repairing that particular connection. The suggested framework identifies the particular issue. An Arduino micro regulator pack and a modified force supply are used in this setup[5].

This technology is used to pinpoint the exact location of the deficit and transmit information in a graphical manner to our site through a GSM module while simultaneously displaying it on the LCD screen. The job is based on the conventional hypothesis of Ohms law, which states that when a low DC voltage is supplied at the feeder end via an arrangement resistor (Cable lines), the current changes depending on the area of the problem in the link as the opposition varies with distance. If there is a short out (Line to Ground), the voltage

across the arrangement resistors varies in accordance with the resistance that fluctuates with distance. This is then sent on to an ADC to provide precise advanced data, which the 8051 family's customized microcontroller displays in kilometers [6].

The current sensing circuits, which are made up of a series of resistors, are connected to the Arduino tiny regulator pack with the aid of the inside ADC device, which provides advanced data to the microcontroller in the form of link length in kilometers. The problem is created by the placement of switches. The hand-off driver places restrictions on the transfers [7][8]. The data is shown on a 16x2 LCD display linked to the microcontroller. When a short occurs, the voltage across the arrangement resistors changes accordingly, which is then sent into an ADC, which generates accurate advanced data for a modified Arduino tiny regulator unit, which then displays the precise fault area from the base station in kilometers. In the future, the project may be realized by measuring the impedance using a capacitor in an AC circuit, which can even identify the open circuited connection.

The suggested technology will locate the fault's precise location. The project is based on the basic idea of Ohms law, which states that when a low DC voltage is supplied at the feeder end via a cable line, current will vary depending on where the fault is located in the cable. If a short circuit occurs (Line to Ground), the voltage across series resistors changes, which is then sent to the Arduino board's inbuilt ADC, which generates accurate digital data for display in kilometers.

The project is made up of a collection of resistors that indicate cable length in kilometers, and a set of switches that create faults at every known kilometer to double-check the correctness of the same. On an LCD connected to the Arduino board, the fault occurring at a certain distance and its phase are shown. This research was further improved by monitoring cable capacitance, which allowed the open circuited cable to be located.

Fault Detection in Underground Cables Using Raspberry Pi and Arduino This article presents a shortcoming area model for an underground power connection based on the Raspberry Pi and the Internet of Things, which is web-based, implying that data will be transmitted over the internet. The goal of this approach is to determine the distance in kilometers between the subterranean link and the base station, as well as the location of the broken connection. The fundamental concept of Current Transformer Theory is used in this article (CT Theory). When a problem like a short out occurs, the voltage drop will vary depending on the length of the link deficit; since the current changes, a Current Transformer is used to calculate the shifting current. The signal conditioner regulates voltage changes, and a microprocessor does the necessary calculations so that IoT devices may display the defect distance. These deficient subtleties are then sent out to any section on the web and displayed [9].

Among the numerous articles published in the area of underground cable faults, a study named "Underground Cable Fault Detection" by Roshani Shingrut and Shubham Shelar describes a circuit that includes a force supply, 4-line display, Arduino, and blockage estimate circuit. Shortcoming switches are used to physically induce blame in the device. There are about 12 shortcoming switches in use, which are arranged in three lines, each with four switches. The three lines refer to the three stages: R, Y, and B. The problem switches have two positions: NF (no issue) and DEF (deficiency) (F). The low worth opposition estimate is the main element of the subterranean connection deficiency recognition circuit.

It is constructed using a constant current source of 100mAmps. Because the connections have a resistance of about 0.01 Ohm/meter, it may measure low worth opposition. Opposition for a 10-meter connection is 0.1 Ohm. This circuit can measure resistance up to 50 Ohm and has a maximum connection length of 4 kilometers. So, starting with the reference location, three protective measures are put in place. These three protection arrangements refer to the three phases and the unbiased. Shortening flaws, both symmetrical and asymmetrical flaws, may be controlled with this method. The goal of this project is to calculate the distance of a deficient subterranean connection from the base station in kilometers and display it on the internet.

Underground connection structure is a common occurrence in Metro metropolitan communities' important zones. When a defect occurs for unknown causes, the repairing cycle associated with that particular connection becomes problematic due to the precise location of the link's weakness. This technology is used to pinpoint the exact location of the problem and transmit information in a graphical manner to our site

through a GSM module, which is shown on an LCD screen. The project is based on the conventional Ohms law theory, which states that when a low DC voltage is supplied at the feeder end via an arrangement resistor (Cable lines), the current will vary depending on the area of the defect in the link, since the obstruction is proportional to the distance. If there is a short out (Line to Ground), the voltage across the arrangement resistors varies in accordance with the resistance that fluctuates with distance. This is then sent on to an ADC to provide precise advanced data, which the 8051 family's customized microcontroller displays in kilometers [10].

## 2. DISCUSSION

In this project, we utilized the basic idea of ohm's law. The distance put on fluid gem indicates when an issue arises in the framework (LCD). Connections were intended to be put above the head until the past decade, and there is presently no underground link that is higher than the prior method. Unfavorable weather conditions, such as storms, days off, downpours, and pollutants, have no impact on subterranean lines, but it is difficult to detect a defect in underground lines. We'll zero down on the precise area of the shortfall. The difficulty today is to identify the exact location of the problem in a computerized framework, since the world has grown increasingly digital. Underground cabling infrastructure is becoming more prevalent in many metropolitan locations Taking Advantage of the Internet of Things The aim of this project is to use the internet to determine the distance of an underground connection issue from the base station in kilometers. In large urban areas, underground connecting structures are a frequent occurrence. Due to the exact unclear area of the link's deficiency, the following mending cycle connected with that particular connection is problematic when a defect develops for unknown reasons.

This technology is utilized to identify the precise position of the deficiency and send graphical information to our site through a GSM module while simultaneously showing it on the LCD screen. The project is based on the traditional Ohms law theory, which says that when a low DC voltage is provided at the feeder end through an arrangement resistor (Cable lines), the current fluctuates depending on the area of the issue in the link as the opposition varies with distance. When a line to ground short occurs, the voltage across the arrangement resistors changes in proportion to the resistance, which varies with distance. This is then transmitted to an ADC for accurate advanced data, which is displayed in kilometers using the 8051 family's specialized microcontroller. A considerable amount of human effort and resources are required in the transmission line shortage area. This procedure is often time-consuming, particularly since excavating the connection risks harming the protection. This article offers a simple and safe solution by automating the cycle of shortfall detection and area. This project employs the basic idea of OHM's law, in which a low DC voltage is provided at the feeder end through an arrangement resistor.

Underground Cable Fault Detection Raspberry Pi and Arduino are used in this project. This article describes a shortcoming area model for an underground power connection based on the Raspberry Pi and the Internet of Things, which is web-based, meaning that data will be delivered over the internet. The objective of this method is to figure out the distance in kilometers between the underground link and the base station, as well as the location of the broken link. In this article, the basic idea of Current Transformer Theory is utilized (CT Theory). When an issue like a short out occurs, the voltage drop varies based on the length of the link deficiency; since the current fluctuates, the shifting current is calculated using a Current Transformer. A signal conditioner controls voltage changes, while a microcontroller does the computations required for IoT devices to show the defect distance. These omissions are then transmitted to any part of the internet and displayed

## 3. CONCLUSION

This article offers a deficient area model for an underground power connection based on the Raspberry Pi and the Internet of Things, which is web-based, implying that data will be transmitted over the internet. The goal of this method is to determine the distance in kilometers between the subterranean connection and the base station, as well as the location of the faulty site. The simple concept of Current Transformer Theory is used in this article (CT Theory). When a defect, like as a short out, occurs, the voltage drop varies depending on the length of the problem in the link; since the current changes, a Current Transformer is used to determine

the changing current. The signal conditioner regulates the voltage change, and a microprocessor does the necessary calculations so that IoT devices may display the problem distance. These problem specifics are then sent off to any passage on the web and displayed.

## REFERENCE:

- [1] M. Gilany, D. K. Ibrahim, and E. S. Tag Eldin, "Traveling-wave-based fault-location scheme for multiend-aged underground cable system," *IEEE Trans. Power Deliv.*, 2007, doi: 10.1109/TPWRD.2006.881439.
- [2] T. S. Sidhu and Z. Xu, "Detection of incipient faults in distribution underground cables," *IEEE Trans. Power Deliv.*, 2010, doi: 10.1109/TPWRD.2010.2041373.
- [3] S. R. Kramer and D. J. Nichols, "Owner challenges when selecting directional drilling for pipeline installations," 1999.
- [4] S. Hänninen and M. Lehtonen, "Characteristics of earth faults in electrical distribution networks with high impedance earthing," *Electr. Power Syst. Res.*, 1998, doi: 10.1016/s0378-7796(97)01193-0.
- [5] J. H. Liu, W. S. Zhu, S. C. Li, and F. Y. Yang, "Analysis of rheological characteristics and stability of surrounding rock masses of Xiaolangdi Hydrojunction underground caverns by using FLAC3D," *Yanshilixue Yu Gongcheng Xuebao/Chinese J. Rock Mech. Eng.*, 2005.
- [6] H. Livani and C. Y. Evrenosoglu, "A machine learning and wavelet-based fault location method for hybrid transmission lines," *IEEE Trans. Smart Grid*, 2014, doi: 10.1109/TSG.2013.2260421.
- [7] K. Y. Parikh, B. Kumar, and V. Raval, "GSM Based Underground Cable Fault Distance Locator," 2018.
- [8] T. Ghanbari, "Kalman filter based incipient fault detection method for underground cables," *IET Gener. Transm. Distrib.*, 2015, doi: 10.1049/iet-gtd.2015.0040.
- [9] X. Yang, M. S. Choi, S. J. Lee, C. W. Ten, and S. Il Lim, "Fault location for underground power cable using distributed parameter approach," *IEEE Trans. Power Syst.*, 2008, doi: 10.1109/TPWRS.2008.2002289.
- [10] S. Barakat, M. B. Eteiba, and W. I. Wahba, "Fault location in underground cables using ANFIS nets and discrete wavelet transform," *J. Electr. Syst. Inf. Technol.*, 2014, doi: 10.1016/j.jesit.2014.12.003.