

A Review on Micrometer

Nivedan Mahato, Assistant Professor

Department of Engineering & IT, Arka Jain University, Jamshedpur, Jharkhand, India

ABSTRACT: *The purpose of this study is to present some information about pitch screw measurement. A screw measure known as a pitch screw check is a type of screw measure. It functions as a tool for estimating. It is mostly used in Science and Technology, as well as Manufacturing and Engineering operations. It is, for the most part, in a screw check. The spacing moved by the axle per upset is the pitch of the screw. The pitch is the fundamental gap between strings, and it is this separation that causes the string to move in a 360-degree circle. Pitch is, for the most part, the distance between two peaks in a string, or, to put it another way, the distance between two strings. The use of pitch screw check and some of its relevance are discussed in this article. As an improvement on the Vernier, William Gascoigne invented the main micrometric screw in the seventeenth century. The pitch of a screw is primarily used to determine the material's pitch. The separation moved by the point of a screw when its top is rotated through one finish transformation is known as its pitch. Pitch is the straight separation traversed by the screw head in a successful screw pivot. A screw gauge, sometimes known as a micrometer screw, is a device that uses a screw to emphasize a small development so that it can be read more easily. Micrometer screw checks are calipers that are used to estimate small measures. Sink checks are commonly used in the design profession to get accuracy estimates. The conventional and fundamental components of a critical micrometer screw inspection are depicted in this article.*

KEYWORDS: *Gauge, Least Count, Micrometer, Pitch Screw, Scale.*

1. INTRODUCTION

The screws checking[1] are a tool for precisely measuring the width of a piece of wire or the thickness of a sheet of metal. It is made up of a U-shaped case with a screwed shaft that is attached to a thimble. The spacing moved by the axle per revolution is the screw pitch[2]. The spacing maintained by the head scales over the pitching scale for an unambiguous number of screw finish pivots is resolved to find this. In essence, a screw check, also known as a micrometer screw check, is a precision estimating tool. Micrometer screw check is an estimate tool widely used in the mechanical construction industry[3] for estimating extremely small dimensions. Even smaller measurements than those determined by a Vernier Caliper can be quantified using a screw check. Micrometer screw measures, which belong to the same family as calipers, have two distinct scales. Screws Gauge's smallest tally is 0.001 mm[4], while its pitch is 0.1 mm. The screw check is a tool used to precisely take measurements of a thin wire or even the thickness of a metal sheet.

It is made out of a U-shaped case with a screwed axle that is attached to a thimble. A scale in mm is etched parallel to the pivot of the thimble. Pitch scale is the term for this. The screw's leader is fitted with a sleeve. The screw's leader features a ratchet that prevents the screw from becoming too tight. There is a circular scale on the thimble known as the head scale, which is partitioned into 50 or 100 a balance of. When the screw is turned, the sleeve travels up and down the pitch scale. The spacing moved by the shaft per upheaval called the screw pitch. The separation developed by the head scale over the pitch scale for a certain number of screw finish spins is resolved to find this. It is used to calculate length, depth, and cross-sectional area, among other things. It uses a screw with a precise pitch and a dial to measure screw spins [5], [6]. A micrometer is a measurement that is used in relation to various adornments such as a casing and an iron block. Micrometer Screw checks deal with the fundamental standard of converting small separations into larger ones by calculating the screw's revolution. This "screw" rule supports a scale's exploration of smaller separations before increasing them. Let's take a standard screw with strings to simplify things even more.

The string spins for a certain amount of times while embedding a screw. Every pivot on this screw may be linked to a proportionate hub development, which is referred to as the screw's lead or pitch. If all of the screw's strings have the same pitch, which is already known, the amount of crucial development produced may be calculated effectively. This standard is used to quantify measurements in the micrometer screw check. Micrometers are also used in telescopes and magnifying lenses to determine the apparent distance between celestial bodies or microscopic objects. Micrometers employ the rule of a screw to convert small separations (too small to measure precisely) into large screw rotations that can be read from a scale. The exactness of the string forms that are central to a micrometer's design determines its accuracy. It's a differential screw in some cases.

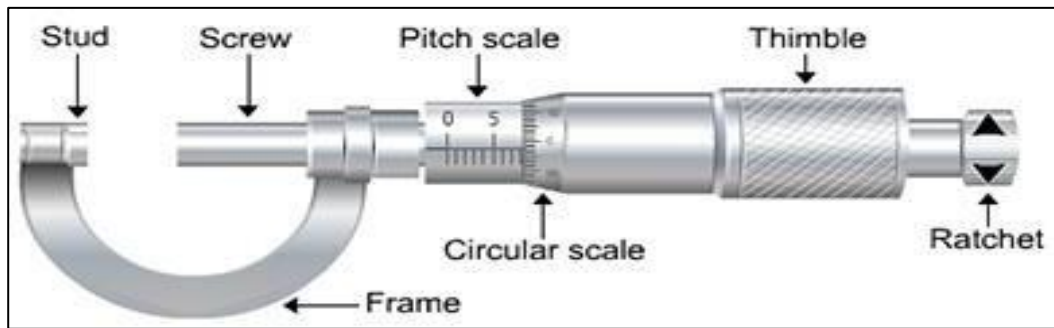


Figure 1. Schematic diagram of screw pitch gauge

Screw Gauge's smallest tally is 0.001 mm, while its pitch is 0.1 mm. The screw check is a tool used to accurately take measurements of a piece of wire or even the thicknesses of a metal sheet. It is made out of a U-shaped[7] case with a riveted axle that is attached to a thimble. A measure in mm is etched parallel to the pivoting of the thimble. Pitch scale is the term for this. The screw's leader is fitted with a sleeve. The screw's leader includes a ratchet that prevents the screw from becoming too tight. There is a circular scale on the thimble known as the head scale, which is partitioned into 50 or 100 a balance of. When the screw is turned, the sleeve travels up and down the pitch scale. The spacing maintained by shaft per upheaval called the screw pitch. The separation advanced by the head scale over the pitch scale for a certain number of screw finish spins is resolved to find this. It is used to calculate length, depth, and cross-sectional area, among other things. It uses a screw with a precise pitch and a dial to measure screw spins and also shown in Figure 1.

A micrometer is a measurement that is used in relation to various adornments such as a casing and an iron block. Micrometer Screw checks deal with the fundamental standard of converting small separations into larger ones by calculating the screw's rotation. This "screw" rule promotes a scale's exploration of smaller separations before increasing them. Let's take a standard screw with strings to simplify things even further. The string rotates for a specified amount of times while embedding a screw. Every pivot on this screw may be linked to a proportional hub development, which is referred to as the screw's lead or pitch. If all of the screw's strings are produced with the same constant pitch, which is already known, the amount of crucial development generated may be efficiently tracked on a scale. This standard is used to quantify measurements in the micrometer screw check. Micrometers are also used in telescopes and magnifying lenses to determine the apparent distance between celestial bodies or microscopic objects. Micrometers employ the rule of a screw to convert small separations (too small to measure precisely) into large screw rotations that can be read from a scale. The exactness of the string forms that are central to a micrometer's design[8] determines its accuracy. It's a differential screw in certain cases.

2. DISCUSSION

2.1 Fundamental Working of Micrometer:

1. Through the steady known as the screw's lead, the measure of turn of a precisely influenced screw may be simply and exactly related to a particular measure of hub development (and the other way about). The lead of a screw is the crucial separation it moves with one complete spin (360°). Lead and pitch allude to a same notion in many strings [that is, in all single-begin threads].
2. A specific measure of hubs growth will be improved in the succeeding circular expansion with an appropriate lead and actual width of the screw.

The position of the thimble is examined directly from scale marks on the thimble and sleeve in fantastic style simple micrometers (for names of parts see next area). A scale is usually given, allowing the situation to be examined down to the smallest scale stamp. In advanced micrometers, an electronic readout displays the length on the instrument's LCD. There are also mechanical-digit types, which are similar to vehicle odometers in that the numbers "move over."

2.2 Scales

A micrometer screw check[9] also employs two scales: the primary and auxiliary scales. The optional scale is printed on the thimble and is an estimate of the screw pitch. This means that perusing on the auxiliary scale

calculates the thimble's separation each turn. The thimble's scale is divided into 50 equal parts and measures hundredths of a millimeter. The thimble scale rotates the shaft, which is also known as the primary scale. The basic scale is a millimeter scale with a substantial chunk of a millimeter removed divisible into equal quantities. The complaint is placed in the centre of the blacksmith's steel and the axles at the time of estimation. At the end of the estimate, the data from both scales are used to stay in touch. Because the micrometer screw measure is such a delicate device, it must be handled with extreme caution. It's also critical that the micrometer is well-adjusted to avoid any errors in the final reading.

Formula: The pitch can be represented as:

- 1) *Pitch of screw* = Distance moved by screw / Number of full rotations given.
- 2) *Least Count of the Screw Gauge:* The Least count (LC) is the distance moved by the tip of the screw, when the screw is turned through 1 division of the head scale.

The least count can be calculated using the formula:

Least Count = Pitch / Total number of divisions on the circular scale.

3. CONSTRUCTION PARTS OF MICROMETER

Stud: The stud face, which comes into direct touch with the object being measured, is machined exceedingly finely to obtain the maximum degree of precision. It is the permanent portion attached at one end of the frame exactly parallel to the moving screw which moves towards it.

Screw: In contemporary micrometer gauges, the open face of the stud and screw is tipped with crab claw, and it displaces by rotating the thimble, decreasing the gap between itself and stud until the item being measured remains stable between both the two of them and shown in Figure 2.

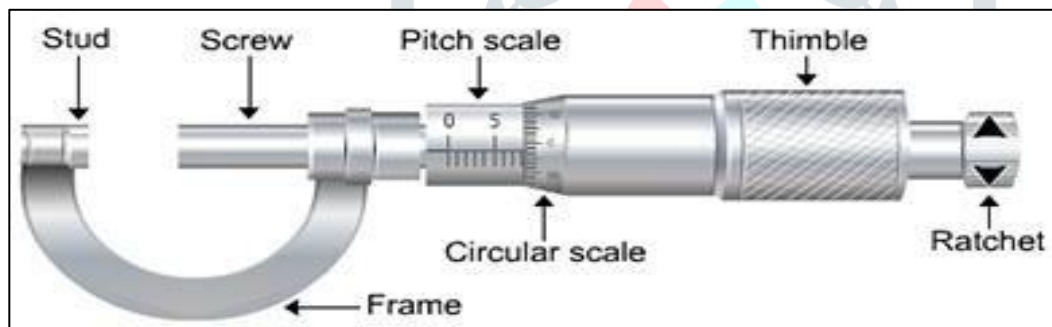


Figure 2: parts of micrometer

Frame: A frame is the body that holds the stud and barrel firmly in place; thick C-shaped frames are employed in micrometer screw gauges. Their bulk aids in the reduction of temperature-related expansion and contraction. To suit the above-mentioned function, several manufacturers also provide gauges with insulated frames.

Thimble: It is the part through which measuring screw is rotated, this screwing result in the displacement of spindle and thimble itself.

Ratchet: A ratchet is a tiny mechanism that is fitted at the right end of a screw gauge to provide a limited applied force. It functions as a safety device for instruments and also provides greater precision to measurement. The final adjustment is performed by turning the ratchet three times.

Scales: A screw gauge has two scales: one revolving scale on its rotating cylindrical portion, also known as the circular scale, and the other on its stationary sleeve, generally known as the main scale or pitch scale. Some designs of instrument may additionally include a Vernier scale.

3.1 Errors of Screw Gauge:

There really is no mistake if both extremities (stud and spindle) of the screw gauge others in such a manner that the zeros of both circular and main scales perfectly overlap each other. Otherwise, the instruments will display a zero error message. Zero error can be either positively or negatively.[10]

3.1.1 *Negative Zero Error of screw gauge:* If the zero of the circular scale above the index line (reference) line, then error is negative (shown in Figure 3). So, zero correction will be positive.

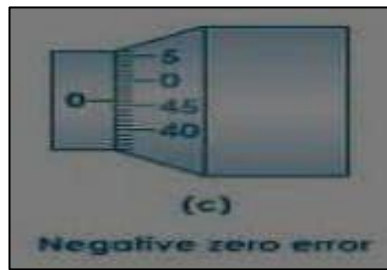
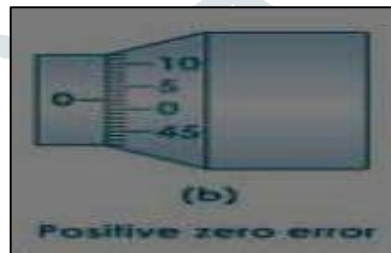


Figure 3: Negative Zero Error

3.1.2 *Positive Zero Error of screw gauge:* If the zero of circular scale is below the reference linear index line then zero error will be positive (shown in Figure 4). So zero correction will be positive.

Figure 4: Positive Zero Error



3.2 Importance of Screw Gauge:

Several things are designed to be constructed [8] from certain checks of specified materials. If the metal is excessively thin, it may become fragile and prone to shattering. If the material is excessively thick, the question will most likely not function as intended. To visualize this, consider the pivot of an entrance; if it were excessively thick, the entryway would never shut properly or endanger the encompassing edge. While a malfunctioning door may appear to be a minor annoyance, consider how many other items in your life rely on consistent thickness, such as your car's windshield. If one place was thinner than another, the flaw may result in a weak spot, resulting in the windshield shattering effect. There are many things [11] in our life that require a specific check, uniformity, or even uniformity throughout, which is exactly what a micrometer can detect. If this were not the case, the results may range from poorly planned to calamitous. To be exact, a micrometer must be meticulously constructed and aligned, which is precisely what Garber Metrology devotes a substantial amount of effort to. Gerber is the name to trust when it comes to utility, security, and protecting your company's valuable assets. As a result, it is mostly used in science and innovation, as well as assembly and design. We used it to determine the width of a piece of fabric or the thicknesses of a material.

4. CONCLUSION

Finally, we can say that what a pitch screw gauge is necessary for measuring objects, and it is found on a screw gauge, also known as a micrometer screw gauge. The distance travelled by the spindle every rotation is the pitch of the screw. The pitching is the axial distance between threads, as well as the distance a thread travels in a 360-degree rotation. The distance travelled by the point of a screw when its cap is rotated one complete rotation is known as its pitch. The linear distance traversed by the screw head during a successful rotation of the screw is known as pitch. A screw gauge, also known as a micrometer screw, is a device that employs a screw to amplify a very tiny movement such that it can be read readily. There are several sorts of errors in pitch screws, such as positive zero error and negative zero error. The first sort of scale is circular scale, and the second is pitch scale.

REFERENCE:

- [1] N. K. Ochinskii, "A device for checking lever gauges and screws in micrometers measuring over 200 mm," *Meas. Tech.*, 1960, doi: 10.1007/BF00976331.
- [2] C. Xu *et al.*, "The effect of implant shape and screw pitch on microdamage in mandibular bone," *Clin. Implant Dent. Relat. Res.*, 2015, doi: 10.1111/cid.12100.

- [3] J. Boktor, A. Hanna, and C. C. Menassa, "State of Practice of Building Information Modeling in the Mechanical Construction Industry," *J. Manag. Eng.*, 2014, doi: 10.1061/(asce)me.1943-5479.0000176.
- [4] L. Wee and H. Ning, "Vernier caliper and micrometer computer models using Easy Java Simulation and its pedagogical design features - Ideas for augmenting learning with real instruments," *Phys. Educ.*, 2014, doi: 10.1088/0031-9120/49/5/493.
- [5] R. H. Sudhan, M. G. Kumar, A. U. Prakash, S. A. R. Devi, and S. P., "ARDUINO ATMEGA-328 MICROCONTROLLER," *IJIREICE*, 2015, doi: 10.17148/ijireice.2015.3406.
- [6] S. F. Barrett, "Arduino microcontroller: Processing for everyone," *Synth. Lect. Digit. Circuits Syst.*, 2012, doi: 10.2200/S00421ED1V01Y201205DCS038.
- [7] S. Kozhar, M. Dosta, S. Antonyuk, S. Heinrich, and U. Bröckel, "DEM simulations of amorphous irregular shaped micrometer-sized titania agglomerates at compression," *Adv. Powder Technol.*, 2015, doi: 10.1016/j.appt.2015.05.005.
- [8] D. Cruz, J. P. Chang, M. Fico, A. J. Guymon, D. E. Austin, and M. G. Blain, "Design, microfabrication, and analysis of micrometer-sized cylindrical ion trap arrays," *Rev. Sci. Instrum.*, 2007, doi: 10.1063/1.2403840.
- [9] B. Hemming, A. Fagerlund, and A. Lassila, "High-accuracy automatic machine vision based calibration of micrometers," *Meas. Sci. Technol.*, 2007, doi: 10.1088/0957-0233/18/5/058.
- [10] A. Gouldstone, N. Caner, T. B. Swedish, S. M. Kalkhoran, and C. A. Dimarzio, "Mechanical and optical dynamic model of lung," *IEEE Trans. Biomed. Eng.*, 2011, doi: 10.1109/TBME.2011.2160346.
- [11] R. V. Jones and J. C. S. Richards, "Review Article: The Design and Some Applications of Sensitive Capacitance Micrometers," *J. Phys. E.*, 1973, doi: 10.1088/0022-3735/6/7/001.

