



ELECTRICITY GENERATE BY WASTE MATERIAL WITH REDUCING AIR POLLUTION

¹Ranjeet Kumar, ²Ashwini Kumar, ³Nivedan Mahato

¹Assistant Professor, ²Assistant Dean, ³Assistant Professor

Department of Mechanical Engineering,

Arka Jain University, Jamshedpur, INDIA.

Email: ranjeet.k@arkajainuniversity.ac.in ashwini.kumar@arkajainuniversity.ac.in nivedan.m@arkajainuniversity.ac.in

Abstract : This observe become carried out to investigate the electricity ability from strong waste material inside the profoundly populated city communities of India, which assessed the robust waste introduction and electricity advent restriction of big urban regions of India including Goa, Mumbai and Delhi. The examples of sturdy waste material were assembled from diverse piece of unmistakable city. The waste reusing method is a method of professionals can be accomplished in gift and is going in the direction of inexperienced and clean residing world. The interaction will isolate sturdy waste like plastic, timber, elastic and different substance which can be reused for strong gasoline recuperate framework. The instance part changed into remote and temperature of various element changed into determined by way of bomb calorimeter. It is popular that the waste material strength plant can be finished in 2020 and all of the created waste will be cremation. From this a herbal methodology is held, which gift the lower of greenhouse gas emanations with recommended squander energy plant in correlation with different flora..

Keywords -. Waste, Recycling System, Biogas, Fertilizer, Solid Materials, Healthy Environment, Better World.

I. INTRODUCTION

The motive of creating this mission is to generate electric power from waste substances like plastic, rubber, garbage and bad stuff etc. [1]-[2] Garbage is very essential problem and it increasing daily, so we've got manage this hassle. We need to understand that we're part of environment now not aside from surroundings. We shop that electrical energy inside the battery through the circuit and use that electrical energy to function the complete project. [2] And the LED bulb is proven to be turned on and using filters to manipulate pollution from energy production. So in this our Project we show efficaciously How to generate energy by means of Waste Materials and Store strength in Battery efficaciously. [3]

II. DESCRIPTION

This system relies upon on loads of additives to paintings properly, all of that are described underneath with all of the required specifications.

Heating Panel: Simply positioned, a Heating board works by way of allowing photons, or particles of mild or hotness, to thump electrons liberated from molecules, generating a progression of energy. Warming forums actually include many, more modest units referred to as photovoltaic cells.

DC Motor: It is an electrical system which changes over electric electricity into mechanical energy. It works as indicated via LORENTZ LAW. This is big a part of our assignment.

Capacitor: It is a huge element applied in electric powered circuit with finishes. On the off threat that at the least two guides are saved near separated by way of a protecting medium, then, at that factor, this plan is referred to as capacitor.

Resister: Resistor is a system that decreases the velocity of flow electric drift and with the help of this we will hold electronic circuit from getting harmed

Diode: Diode is an electrical device which consists of semiconductor, and it conducts electricity on one aspect and no longer on the alternative aspect they have got Terminal, one cathode and other anode **Battery:** It is a system in which we price it by using giving electrical strength and because of which it produces a substance response which gathers electric power and after that we use it as in keeping with the shortage, in different language, we give strength to the battery Charges.

Electricity Generate By Waste Material with Reducing Air Pollution

LED: Its Bulbs are equipped with little LED Lights. Which tries to offer all of the more than mild even in much less watts. This is a semiconductor gadget that emanates mild

Heating Sensor: The sensor offers the battery to the pressure of LED bulb simply while this sensor is warmed by means of h Here is warming penal complex use for exchanging battery strength, Because A Heating Sensor is an electrically labored switch consuming within the event that this sensor isn't warmed. The LED bulb isn't always glowing

Dc Water Pump: DC water siphon is a system that transports fluid, and it applies tension at the fluid. At the point when the

water siphon is running, the commutator and the loop pivot however the curl brush and the appealing metal don't turn as indicated by way of the rotating float bearing of the curl. The commutator secret's supplanted by brushes which turn with the engine

Carbon air filters: Carbon air filters are the filters most usually used to take away gases **Electrolysis to clean water:** Electrolysis is the method of breaking of any ionic compound the use of strength. $2\text{H}_2\text{O}-2\text{H}_2(\text{g})+\text{O}_2(\text{g})$

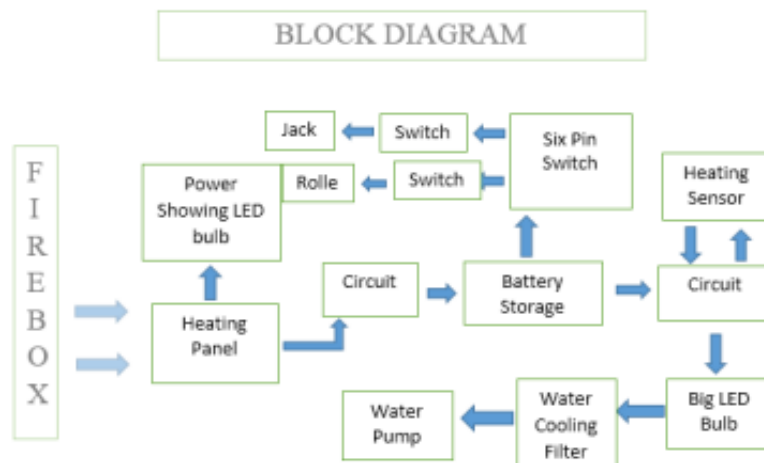


Figure1: Block diagram of the Electricity Generate by Waste Material

III. WORKING

First we acquire waste material like, plastic rubber garbage and so on. [1] And burn the waste material within the hearth field and then heat is generated then heating panels convert that warmness to strength and LED bulb glowing by electric for showing strength energy. After that circuit take power and provide to battery for charging. There is a heating sensor and while it heated then it turn on the pink LED bulb. [2]

When we burn waste material right here it will release various gases, so it will likely be first long past via the chimney, and it'll be transported to the water tank. Here in the water tank the gases have to be separated, or it ought to be combined. So here we use the electrolysis technique to reduce those gases. [3] Some gases combined right here, so the water might be heated with a purpose to cool that we've got e cooling tower right here, so the water could be getting transported constantly and as the gases blended inside the water, the water will be polluted. [4] – [5]

So we need to purify that right here we use filters which are carbon filters so that water might be filtered. And going via the pipes to the vegetation. So all of the CO₂ or gasoline will now not simply manipulate right here within the water tank a few gases are blended within the air so we are planted here palm timber which have a look at most CO₂ of gas and different gases. Let's see the very last operating of our project. After that you may see complete efficaciously generating power by way of waste materials with lowering air pollution [5]



Figure2: Working Model of Electricity Generate by Waste Material

IV. RESULT

As a result of the above process 2-3 volts of energy generated.

V. CONCLUSION:

In This Project we display How to Generate Electricity through waste substances is correctly, and we show in challenge the way to control pollutants by means of Pollution manage filter out, while we are making whole our assignment then we check its full running, that time he's running is very good with none hassle So our Project is exceptional for working and Showing, how to Generate Electricity with the aid of Waste materials

REFERENCES:

- [1]. Solid waste management. [Online] Available:
- [2]. There are all component and material, available by <https://rtindustries.business.site>
- [3]. C. S. Psomopoulos, A. Bourka, and N. J. Themelis, "Waste-to-energy:
- [4]. A review of the status and benefits in usa," Waste Management, vol. 29, no. 5, pp. 1718–1724, 2009
- [5] Filter are available (online). Amazon.in

