



Optimization Result for 5/3 & 9/7 Wavelet Coefficient based 2-D DWT using Complex Multiplier

Neha Shukla¹, Dr. Jaikaran Singh²

Ph. D. Research Scholar, Department of Electronics and Communication Engineering, LNCT University, Bhopal¹

Professor, Department of Electronics and Communication Engineering, LNCT University, Bhopal²

nshuklatiwari@gmail.com, Jksingh81@gmail.com

Abstract: The distinctive 1_D and 2_D Discrete Wavelet Transform (DWT) models that subsist in the composing are scull-section, equal channel, crumbled, flipping and iterative skeleton. The plans vary with approbation to the competition and gear essential, the memory reacquired to provision the data picture, and widely appealing coefficients. The guideline focus of this investigation striving is to decide capable VLSI structures, for the gear use of the 9/7 and 5/3 DWT, using complex multiplier (CM) and improving the speed and hardware complicities of existing plans.

Index Terms – 1_D DWT, 2_D DWT, CM

I. INTRODUCTION

Of late, there have been basic undertakings by the business and authorities to make PC tomography imaging structures as far as new getting ready and multiplication figurings. A CT scanner has broad mindfulness with respect to improve both gear and programming to enable significant standards CT pictures to be made. The quality and speed with which they are created is somewhat a direct result of improvements in capable picture propagation counts [1].

This field is up 'til now creating and new counts are by and by used that change in accordance with the variety of issues like model and handle the projection upheaval, low identifier check, non-uniform game-plans of sensor, scatter, etc., Two important request in picture entertainment computations are methodical and Iterative estimation. Analytical model is computationally compelling and speed with the couple of assumptions like scanner geometry and rough data, for instance, cognizance of the projections and quiet estimations, etc. [2, 3].

To achieve better picture quality from comparable rough data, continuously down to earth speculations about scanner geometry and upheaval estimations must be made. This is done in the more computationally complex iterative revamping methods. Such iterative diversion techniques may realize longer revamping occasions yet also in extensively less picture commotion from a comparative rough data through progressively complex showing of discoverer response and the quantifiable lead of the estimations. Iterative multiplication estimation is a lot of capable than logical computation. Among which, Iterative propagation is considered in this assessment. By and by a-days, Iterative generation is playing a genuine activity in PC tomography to improve nature of picture and decrease the development old rarities. Along these lines a lot of exploration work has been done as such as to improve the reproduced picture in both visual and error assessment [4].

The DWT is apparently the best methodology in the field of Image weight and Image coding. Joint Pixel Master Group (JPEG) is the essential standard method for the image pressure. The coding ability and picture quality is capable in the DWT when appeared differently in relation to the standard DCT. JPEG is explained the irreversible sort of the Discrete Wavelet Transform for the beneficial picture pressure. Mechanized Image is one of the standard requirements for both persistent applications additionally as examination zone. The essential of the Image pressure is commonly high on account of the traffic conveyed by the media sources. The One Dimensional what's progressively, Two-Dimensional Discrete Wavelet Transform is the key limit with respect to picture getting ready. The Multi-objectives signal assessment is cultivated in both time and repeat space in DWT. The DWT is extensively used in the image pressure in JPEG 2000 as a result of its time and repeat properties [5].

The image redoing is described as the arrangement of inclusive of two dimensional similitudes into macintosh by looking at the condition of the image. The image redoing is prevalently used in various appositeness like medicine applies self-governance, and gaming. In DWT, there is some course of action of wavelet obligation that are used for the weight, racket diminishes, and revamping process. With everything taken into account, all correspondence channels have sporadic racket in light of these characteristics, and these aqueduct are impacted by horrendous relationship from the fountainhead of the aqueduct. The image amusement is percolate by the up testing sought after by the modernized aqueduct [6].

Multi-objectives wavelet recondition is the traditional technique of diversion. The essential downside of customary system is the utmost amazing gear indispensability to plethora the midway characteristics. The computational deferment of the tenacious is moreover remarkable. To fatigue these concerns, the multi-band wavelet vicissitude is essentially used for the image revamping process. By using the proposed multiband wavelet vicissitude, the repeat covering of the equipment is diminished. The

summation aqueducts are basically used to gather the multiplication square. The image distinction and force are capable in the multiband wavelet to vicissitude when appeared differently in relation to standard multiresolution wavelet vicissitude [7, 8].

II. CM

Structure of N×N CM is representing in fig. 1. R_r & R_i is first I/P, I_r & I_i is second I/P and O_r & O_i is O/P of CM. r and I represent by real and imaginary number.

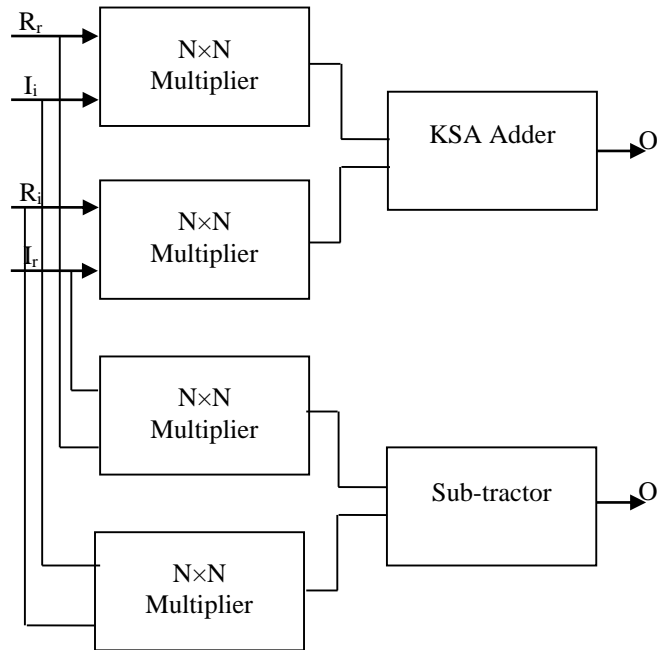


Fig. 1: Structure of N×N CM

CM is consists of four N×N multiplier and one KSA and sub-tractor. N is representing by number of bits. CM is the important role of the different types of field i.e. wireless and speech processing.

$$R = R_r + jR_i$$

$$I = I_r + jI_i$$

R multiplier I then

$$O = R \times I$$

$$O = R_r \times I_r - R_i \times I_i + j(R_r \times I_i + R_i \times I_r)$$

$$O_r = R_r \times I_r - R_i \times I_i$$

$$O_i = R_r \times I_i + R_i \times I_r$$

III. DWT

The resolution analysis limit and time-gradation district properties of the DWT has set up it as stunning resource for different applications, for instance, signal examination, picture pressure and numerical assessment, as communicated by Mallat. It is driven different exploration social occasions to make counts and gear models to execute the DWT.

In the standard convolution method for DWT, several Finite Impulse Response (FIR) aqueducts are applied in equal, to decide high_pass and low_pass aqueduct coefficients. Mallat's monolith estimation can be recycled to addresses the wavelet coefficients of an illustration in a couple of spatial headings. The plans are by and large crumbled, and can be completely requested into consecutive and equal structures as discussed [7]. The designing discussed executes aqueduct bank structure capably, using digit consecutive pipelining. This building structures the explanation behind the gear execution of sub band rot, using the conversational DWT for JPEG 2000. An accustomed plan in whichever DWT break down the information picture is showed up underneath in Fig. 2.

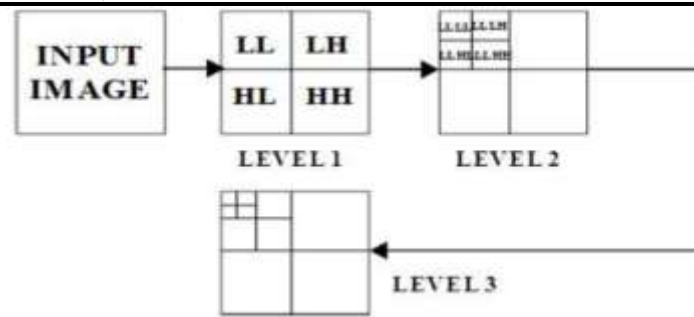


Fig. 2: 3-level DWT of an image

Each crumbling level showed up in Fig. 2 incorporates two stages arrange performs level isolating, and stage 2 operate vertical permeate. In the primary level rot, the breadths of the data picture are N by N size and dissociate four standby federate L_L, H_H, L_H and H_L. L is imitate by Low and H is imitate by high frequency. Four standby federate are N/2 by N/2 size. L_L standby federate more dossier compared to other standby federate by virtue of L standby federate is boilerplate value of pixel and H standby federate is difference value of pixel. H_H standby federate is fewer dossiers. Derived the all standby federate is below:

$$x_{LL}^J(n_1, n_2) = \sum_{i_1=0}^{K-1} \sum_{i_2=0}^{K-1} h(i_1)h(i_2)x_{LL}^{J-1}(2n_1 - i_1)(2n_2 - i_2)$$

$$x_{LH}^J(n_1, n_2) = \sum_{i_1=0}^{K-1} \sum_{i_2=0}^{K-1} h(i_1)g(i_2)x_{LL}^{J-1}(2n_1 - i_1)(2n_2 - i_2)$$

$$x_{HL}^J(n_1, n_2) = \sum_{i_1=0}^{K-1} \sum_{i_2=0}^{K-1} g(i_1)h(i_2)x_{LL}^{J-1}(2n_1 - i_1)(2n_2 - i_2)$$

$$x_{HH}^J(n_1, n_2) = \sum_{i_1=0}^{K-1} \sum_{i_2=0}^{K-1} g(i_1)g(i_2)x_{LL}^{J-1}(2n_1 - i_1)(2n_2 - i_2)$$

Position of X_{LL} is 2-D data picture, J is boilerplate by decompose, h & g is boilerplate by low and high pass distill coefficient. Explanatory and iterative reproduction calculations are the two philosophies in PC tomography for the examination of picture quality. Explanatory model is one in which it endeavors to locate the immediate answer for the picture remaking from the obscure projections. Investigative calculation is constrained to fragmented projections and scanty in see. In iterative reproduction, Image gauge is dynamically refreshed towards an improved arrangement. To help the iterative picture reproduction calculation, numerous methodologies have been introduced in writing. Among these techniques, the projection based strategy is an proficient and a twisting less method.

IV. PROPSOED METHODOLOGY

In the DWT, the bi-balanced wavelets are realized by using the lifting strategy. The spatial territory and lifting system is used to create the lifting strategy. In the lifting plan, three guideline steps are generally played out that are, split, anticipate and update. The information picture tests $x(n)$ are apportioned concerning the odd and even models in the split square. The channel is required for the odd and even guides to keep from the bothersome hailing. Lifting plan is performed by based kind of the channel. Scaling step is used to find the low pass sub-gatherings of the odd and even tests. Channel utilization is changed into the growth cross sections in the lifting plan.

The image pressure is performed successfully by using the lifting plan, and the gear uses are significantly diminished by using the channels.

Inward item calculation can be communicated by complex multiplier. The DWT detailing utilizing convolution plot given in can be communicated by internal item, where the 1-D DWT definition surrendered (1) – (2) can't be communicated by inward item.

In spite of the fact that, convolution DWT requests number juggling assets than DWT, tortuousness DWT is speculate to ensnare the benefits of CM-based plan. CM definition of tortuousness based DWT utilizing 5/3 and 9/7 biological channel is introduced here.

As per (5) and (6), the 5/3 wavelet channel calculation in tortuousness structure is communicated as

$$Y_L = \sum_{i=0}^4 h(i) X_n(i)$$

$$Y_H = \sum_{i=0}^2 g(i) X_n(i)$$

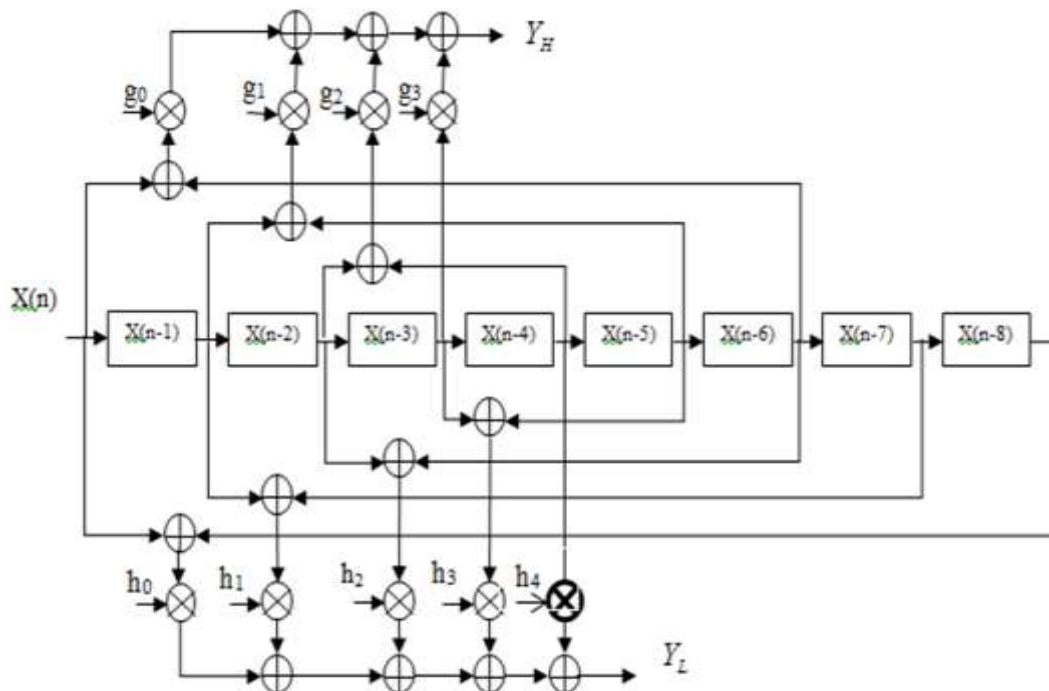


Fig. 3: Multiplier Based 9/7 Coefficient based 1-D DWT

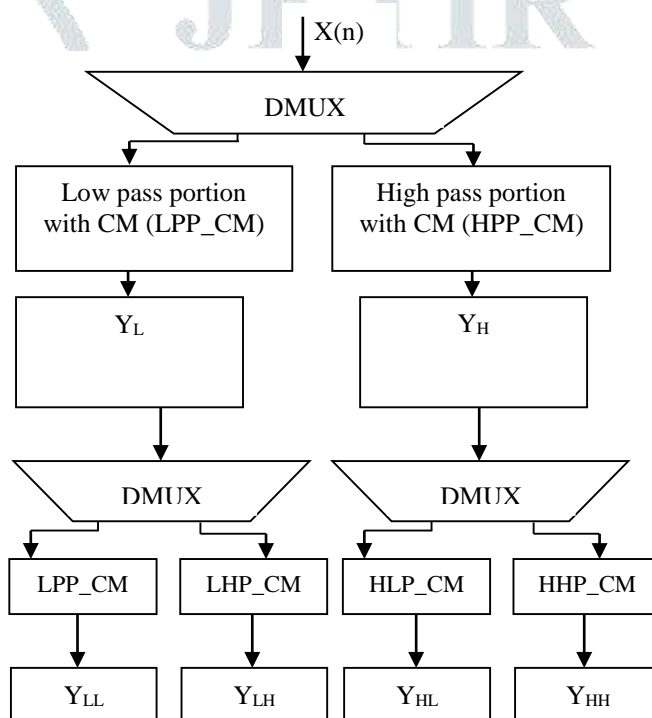


Fig. 4: 5/3 & 9/7 2-D DWT using CM Technique

Position of $h(i)$ & $g(i)$ is boilerplate by low and high pass distill 5/3 coefficient. Position of Y_L & Y_H is boilerplate by low and high pass distill O/P. Position i varies between 0 to 4 for low distill and 0 to 2 for high distill.

V. SIMULATION RESULTS

CM based 5/3 & 9/7 2-D DWT is design Xilinx software with 14.2i version. Xilinx is work on two steps i.e. primary and secondary design. Primary design is defined on the I/O part of the systems and secondary part is defined the relation between I/O part. 5/3 1-D DWT are represents primary and secondary design in fig. 5 & fig. 6.



Fig. 5: Primary delineate of 1_D DWT including 5/3 coefficient

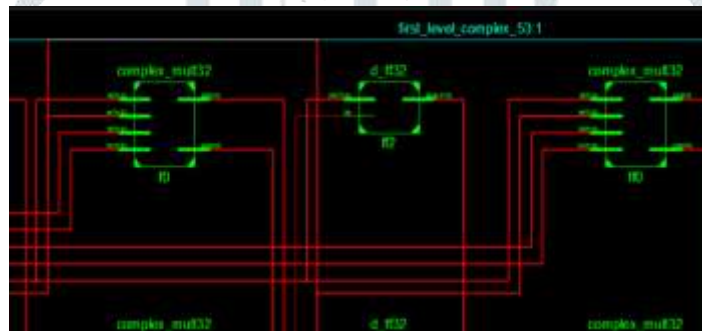


Fig. 6: Secondary delineate of 1_D DWT including 5/3 coefficient

```

Final Register Report

Macro Statistics
# Registers : 320
Flip-Flops : 320
# Shift Registers : 64
2-bit shift register : 64
Device utilization summary:
-----
Selected Device : 7vh290thcg1155-2

Slice Logic Utilization:
Number of Slice Registers: 384 out of 437600 0%
Number of Slice LUTs: 35740 out of 218800 16%
  Number used as Logic: 35676 out of 218800 16%
  Number used as Memory: 64 out of 70800 0%
  Number used as SRL: 64

Slice Logic Distribution:
Number of LUT Flip Flop pairs used: 35941
  Number with an unused Flip Flop: 35557 out of 35941 99%
  Number with an unused LUT: 201 out of 35941 0%
  Number of fully used LUT-FF pairs: 183 out of 35941 0%
  Number of unique control sets: 2

IO Utilization:
Number of IOs: 833
Number of bonded IOBs: 833 out of 300 277% (**)

Timing Summary:
-----
Speed Grade: -2

Minimum period: 1.155ns (Maximum Frequency: 865.801MHz)
Minimum input arrival time before clock: 0.519ns
Maximum output required time after clock: 19.672ns
Maximum combinational path delay: 19.430ns
    
```

Fig. 7: Summary of 1_D DWT including 5/3 coefficient

9/7 1-D DWT are represents primary and secondary design in fig. 8 & fig. 9.

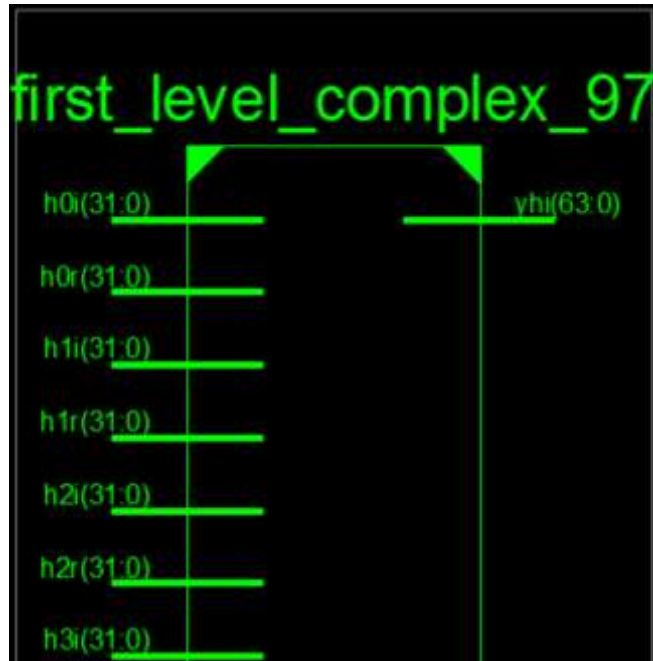


Fig. 8: Primary delineate of 1_D DWT including 9/7 coefficient

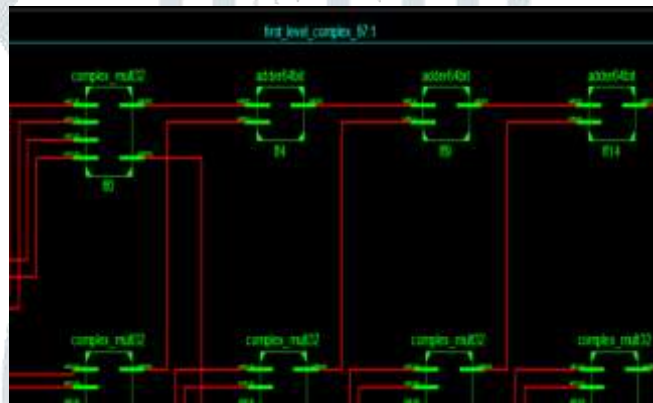


Fig. 9: Secondary delineate of 1_D DWT including 9/7 coefficient

Final Register Report

Macro Statistics

Registers : 512
 Flip-Flops : 512

Device utilization summary:

Selected Device : 7vh290thcg1155-2

Slice Logic Utilization:				
Number of Slice Registers:	512	out of	437600	0%
Number of Slice LUTs:	71745	out of	218800	32%
Number used as Logic:	71745	out of	218800	32%

Slice Logic Distribution:				
Number of LUT Flip Flop pairs used:	72073			
Number with an unused Flip Flop:	71561	out of	72073	99%
Number with an unused LUT:	328	out of	72073	0%
Number of fully used LUT-FF pairs:	184	out of	72073	0%
Number of unique control sets:	1			

IO Utilization:				
Number of IOs:	1345			
Number of bonded IOBs:	1345	out of	300	448% (*)

Specific Feature Utilization:				
Number of BUFG/BUFGCTRLs:	1	out of	32	3%

Timing Summary:

Speed Grade: -2

Minimum period: 0.771ns (Maximum Frequency: 1297.169MHz)
 Minimum input arrival time before clock: 0.517ns
 Maximum output required time after clock: 22.852ns
 Maximum combinational path delay: 22.561ns

Fig. 10: Summary of 1_D DWT including 9/7 coefficient

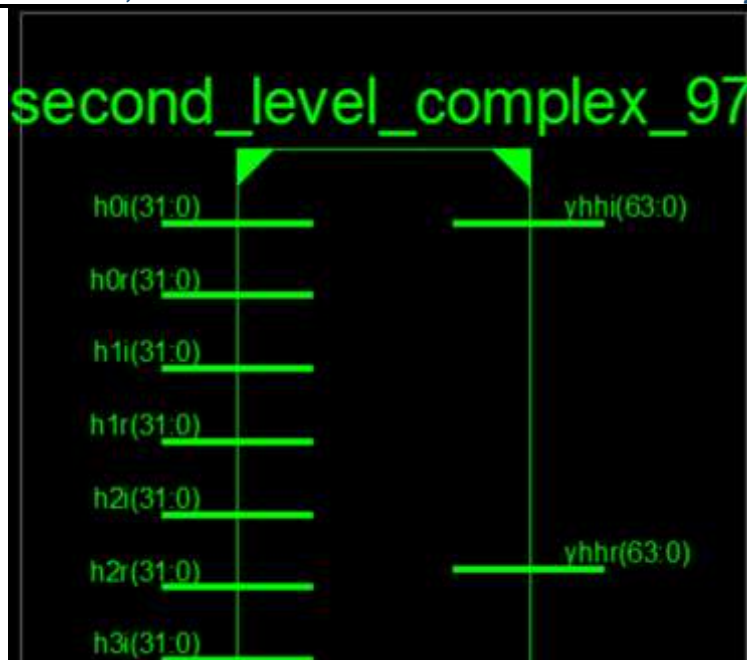


Fig. 11: Secondary delineate of 2_D DWT including 9/7 coefficient

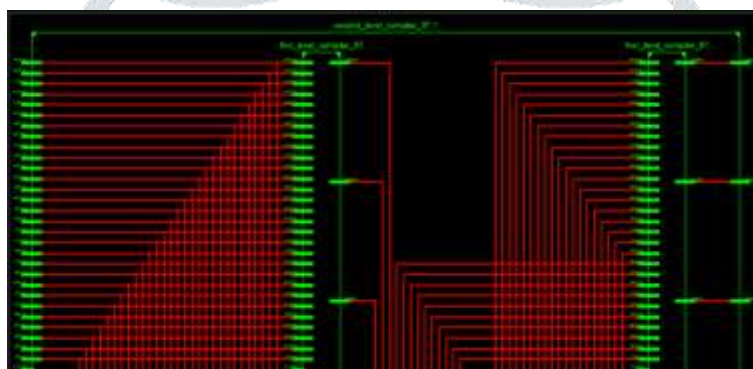


Fig. 9: Secondary delineate of 2_D DWT including 9/7 coefficient

Table I: Comparison Result

Parameter	Proposed Design	2017 [1]	2018 [2]	2019 [3]
Delay	19.430	-	21.233 ns	-
Adder	6	-	-	7
Frequency	865.801 MHz	350 MHz	800.6 MHz	-
Net Power	62061 nw	74459.9 nw	-	-

VI. CONCLUSION

VII. It is concluded that the CM based 2_D DWT provide best result compared to previous year. The compared result is based on delay, adder, frequency and net power.

REFERENCES

- [1] Syeda Eima Iftikhar Gardezi, Fatima Aziz, Sadaf Javed, Ch. Jabbar Younis, Mehboob Alam, Yehia Massoud, “Design and VLSI Implementation of CSD based DA Architecture for 5/3 DWT”, 978-1-5386-7729-2/19/\$31.00©2019 IEEE.
- [2] Mohamed Asan Basiri M and Noor Mahammad Sk, “An Efficient VLSI Architecture for Convolution Based DWT Using MAC”, 31th International Conference on VLSI Design and 2018 17th International Conference on Embedded Systems, IEEE 2018.
- [3] Anirban Chakraborty, Debolina Chakraborty and Ayan Banerjee, “A Memory Efficient, High Throughput and Fastest 1D/3D VLSI Architecture for Reconfigurable 9/7 & 5/3 DWT Filters”, International Conference on Current Trends in Computer, Electrical, Electronics and Communication (ICCTCEEC-2017).
- [4] Rakesh Biswas, Siddarth Reddy Malreddy and Swapna Banerjee, “A High Precision-Low Area Unified Architecture for Lossy and Lossless 3D Multi-Level Discrete Wavelet Transform”, Transactions on Circuits and Systems for Video Technology, Vol. 45, No. 5, May 2017.
- [5] Satish S Bhairannawar, Rajath Kumar, “FPGA Implementation of Face Recognition System using Efficient 5/3 2D-Lifting Scheme”, 2016 International Conference on VLSI Systems, Architectures, Technology and Applications (VLSI-SATA).
- [6] Maurizio Martina, Guido Masera, Massimo Ruo Roch, and Gianluca Piccinini, “Result-Biased Distributed-Arithmetic-Based Filter Architectures for Approximately Computing the DWT”, IEEE Transactions on Circuits and Systems—I: Regular Papers, Vol. 62, No.8, and August 2015.

- [7] S.G. Mallat, "A Theory for Multiresolution Signal Decomposition: The Wavelet Representation", IEEE Trans. on Pattern Analysis on Machine Intelligence, 110. July1989, pp. 674-693.
- [8] M. Alam, C. A. Rahman, and G. Jullian, "Efficient distributed arithmetic based DWT architectures for multimedia applications," in Proc. IEEE Workshop on SoC for real-time applications, pp. 333 336, 2003.

