



IoT enabled Air and Sound Pollution Monitoring system

Md Fahad

Department of computer science & engineering
Sharda school of engineering and technology
Sharda University
Greater Noida Uttar Pradesh

Sachin Kumar Sinha

Department of computer science & engineering
Sharda school of engineering and technology
Sharda University
Greater Noida Uttar Pradesh

Mohd Suhail

Department of computer science & engineering
Sharda school of engineering and technology
Sharda University
Greater Noida Uttar Pradesh

Ms. Priya Sharma

Department of computer science & engineering
Sharda school of engineering and technology
Sharda University
Greater Noida Uttar Pradesh

Abstract-The study “IoT Enabled Air and Sound Pollution Monitoring System” investigates the creation of an all-encompassing system for tracking environmental pollutants. Air and noise pollution sensors, a microprocessor, and a display are all included into this system, which makes use of IoT technologies to monitor environmental conditions. The sensors record ambient noise levels and real-time data on air quality by measuring common air contaminants including particles and gases. A microcontroller handles this data, providing smooth connectivity with an IoT platform. The device has an intuitive interface that makes it simple to view pollutant data. This study intends to improve environmental sustainability and public health via the use of Internet of

Things (IoT) technology, sensors, and microcontrollers to provide a scalable system for real-time monitoring and management of air and noise pollution.

Keywords: Environmental Pollution, Smart Monitoring System, IoT, Cloud Computing and Noise Control.

I. INTRODUCTION

The rising concerns about air and noise pollution in particular call for the application of innovative strategies employing cutting-edge technologies. An all-inclusive, real-time approach for monitoring and assessing pollution levels is presented in this study paper in the form of an

IoT-enabled Air and Sound Pollution Monitoring System. The system's high-tech sensors allow for accurate measurements of a variety of air pollutants and sound levels, providing a full picture of the environment in which it operates. A microcontroller's primary function is to act as the system's brain, managing everything from data collection and processing to transmission. The IoT idea is critical because it simplifies data transmission and accessibility by bringing monitoring tools into the digital sphere. Adding a display unit enhances usability by giving the user more immediate feedback. An in-depth analysis of the system's architecture is presented, along with an in-depth discussion of the roles played by each component, and the potential of an Internet of Things (IoT) enabled approach to air and noise pollution monitoring and control is explored.

II. LITERATURE REVIEW

In modern urban areas, air and noise pollution are serious issues that pose serious challenges to the public's health and well-being. The increasing process of urbanization and industrialization has created a demand for efficient and immediate monitoring systems to evaluate the concentrations of pollutants in the atmosphere and the levels of noise in the surrounding environment. Conventional monitoring techniques exhibit limitations in terms of their ability to offer data that is both timely and complete. Hence, the use of Internet of Things (IoT) technology presents itself as a viable approach to tackle this urgent issue. An IoT-enabled Air and Sound Pollution Monitoring System can offer a dynamic and integrated approach to data collection, processing, and dissemination through the use of a network of sensors, microcontrollers, and display units. The purpose of this article is to analyze the planning, implementation, and prospective outcomes of a system that might improve our knowledge of environmental pollution and aid in the making of well-informed decisions in favor of fostering sustainable urban living and Environmental Monitoring.

The combination of IoT devices and environmental monitoring has fundamentally altered our perspective on and control over the natural world. Environmental monitoring systems that take advantage of the Internet of Things use a system of networked sensors to track a wide range of environmental factors in real time, such as air quality, water quality, and noise levels. The sensors, strategically positioned in both urban and natural places, constantly gather data, leading to a complete and ever-evolving knowledge of the ecosystems in which they are deployed. Data is gathered and stored in the cloud for further remote examination, analysis, and visualization. Technology like this makes it much simpler to assess the health of ecosystems, react rapidly to changes in the environment, practice responsible resource management, and make well-informed choices that improve the planet. Keeping an eye on air and water pollution levels, as well as keeping track of and protecting wildlife habitats, are just a few of the many ways that the Internet of Things (IoT) is being put to use in environmental monitoring. Using IoT devices to monitor Earth's ecology would

greatly aid our attempts to maintain the delicate balance that exists there.

- Air Pollution Monitoring Technologies

The use of air pollution monitoring systems is immensely useful in establishing and maintaining air quality standards, since these instruments provide critically important information on the levels of air pollutants. Technologies like this utilize a plethora of sensors, devices, and systems to collect data in real time, analyze it, and help policymakers make educated decisions on how to deal with pollution. In order to get a deeper insight into the condition of our world, air pollution monitoring equipment is a potent resource. This in turn aids policymakers, researchers, and the general public in tackling air quality issues, implementing efficient mitigation strategies, and creating a more sustainable, wholesome world.

- Sound Pollution Monitoring Technologies

In order to evaluate and control noise pollution's negative impacts on people and the planet, reliable monitoring technology is essential. High-end microphones, DSPs, and networked processing are used in these systems to analyze background noise in real time. Decibel-measuring sound level sensors, data-processing microcontrollers or processors, and a selection of connection modules such as Wi-Fi, Bluetooth, or cellular network radios are all essential.

In order to store, analyze, and present the data received via these technologies, it is often routed to a centralized system or cloud platform. Authorities and other interested parties may keep tabs on noise pollution levels over time using this feature, allowing them to pinpoint the root causes of the problem and take appropriate action. Sound pollution data may now be more easily analyzed in terms of spatial patterns, cartography, and associations thanks to the use of geographic information systems (GIS). Access to the collected data is made easier by user interfaces like websites and mobile apps, enabling users to see data in real time, create reports, and be alerted to instances of excessive noise. The effectiveness of the system is improved by the introduction of warning and notification systems, which allow for quick reactions to resolve noise-related problems.

To ensure the protection of sensitive data, security measures like as encryption and authentication are employed. Additionally, backup and redundancy features are implemented to enhance the reliability of the monitoring system. Furthermore, it is common for technologies to integrate environmental enclosures as a means of safeguarding equipment against adverse weather conditions and external disturbances. Monitoring technologies are essential in resolving the issues related to sound pollution since they offer valuable data that can be utilized for urban planning, public policy development, and regulatory enforcement. The integration of sensor technologies, data analytics, and networking has led to significant breakthroughs in sound pollution monitoring systems, which in turn play a crucial role in the development of healthier and more sustainable living environments.

III. PROPOSED METHODOLOGY

The research paper titled “IoT Enabled Air and Sound Pollution Monitoring System” outlines a methodology that incorporates a range of components, such as sensors, microcontrollers, Wireless Sensor Networks (WSN), cloud storage, and a buzzer for alert alarms. This integration aims to establish an effective and all-encompassing system for monitoring environmental conditions. In the first phase, a sensor network is set up to collect data on environmental pollutants including noise and dust. Sensors, including those for detecting particulate matter, gases, and sound levels, are placed at strategic points within the defined area to ensure thorough monitoring. Regular data collection from the sensors provides the most recent available picture of pollution levels. A microcontroller, which acts as the brains of an IoT device, processes the information gleaned from its networked network of sensors. The analog signals from the sensors are processed and converted into digital data by the microcontroller, which is equipped with an Analog-to-Digital Converter (ADC). To further guarantee uninterrupted data transfer, it also permits linkage to the Wireless Sensor Network (WSN). The Wireless Sensor Network (WSN) performs a critical role inside the system by providing wireless communication between the various sensors and the central microcontroller. The utilization of wireless connectivity in this context provides a level of freedom in the placement of sensors, so enabling the creation of a monitoring infrastructure that is both scalable and adaptive. Subsequently, the processed data is delivered to a cloud storage platform, which functions as the primary repository for all pollution data. Cloud storage enables the secure, easily accessible, and scalable storage of both historical and real-time data. Additionally, it facilitates data analytics and visualization, so offering a thorough depiction of pollution patterns and changes throughout a given period. In order to optimize the system's level of responsiveness, an alert mechanism has been incorporated, which includes the integration of a buzzer for the purpose of alarm notifications. In instances where pollution levels exceed predetermined criteria, the microcontroller initiates the activation of a buzzer, therefore notifying pertinent stakeholders. This facilitates timely intervention and response. In order to facilitate user engagement and enhance visualization capabilities, an integrated display unit is implemented within the Internet of Things (IoT) system. This item, which encompasses either a web or mobile application, enables users to actively monitor pollution levels in real-time, retrieve historical data, and receive timely notifications. The utilization of a display unit serves to augment the accessibility of information, hence helping users to make well-informed judgments and undertake requisite activities. This research uses a method that guarantees the smooth cooperation of many devices, such as sensors, microcontrollers, wireless sensor networks (WSNs), cloud storage, alarm buzzers, and screens. By using the potential of the IoT, this integration strives to create a reliable system for tracking environmental noise and air pollution. All these interconnected parts work together in harmony to provide real-time insights, make data storage and analysis easier, and let us react rapidly to

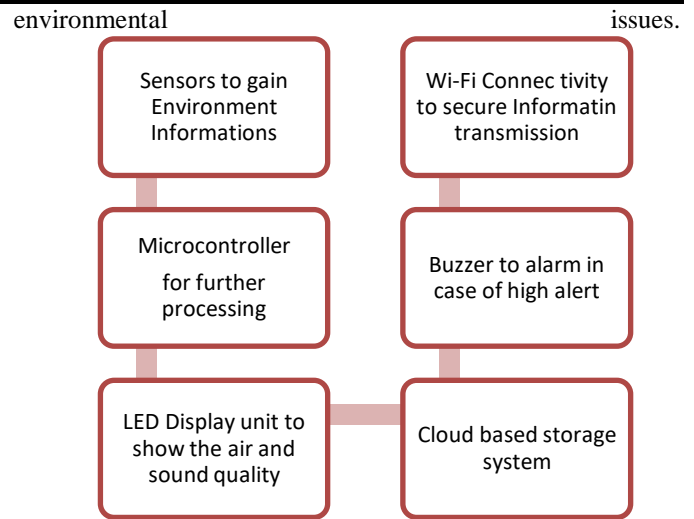


Fig 1 Proposed methodology of IoT and Cloud computing system for Air and Sound Pollution monitoring

- System Architecture

In order to monitor air and noise pollution in real time, the Internet of Things (IoT) is leveraged in this study's presentation of a system architecture that encompasses comprehensive data collection, processing, and user interaction. A network of high-tech sensors deployed at key locations around the field serves as the system's backbone. These sensors were purpose-built to monitor environmental factors including air and noise pollution in real time. The sensors are the primary information gatherers, monitoring the levels of pollution and sound. Through the use of a wireless sensor network (WSN) connected to the Internet of Things (IoT), a secure and dependable line of communication may be established for the transmission of the gathered data. When raw sensor data is collected, it is processed by a microcontroller before being sent to a cloud service. In a highly scalable and secure environment, the cloud architecture may be used as a central repository to store and manage enormous databases. A mobile application has been developed to assist less complicated use and administration. To monitor and manage a pollution monitoring system in real time, this tool features a user-friendly interface. Using the app on their smartphones, people can access detailed reports on the air and noise quality in their immediate vicinity, set up custom alerts, and access trends in the collected data over time. The program is an important tool for doing both of these things, raising people's consciousness and encouraging them to take action to solve environmental problems. Simply put, the Internet of Things (IoT)-enabled Air and Sound Pollution Monitoring System is an all-encompassing framework that successfully integrates many components such as sensors, Wireless Sensor Networks (WSN), IoT connection, cloud storage, and a mobile application. The effective control of pollution and the development of a more environmentally conscious and educated society are greatly aided by the adoption of this all-encompassing strategy, which ensures timely data gathering, simplified processing, and user-friendly

participation.

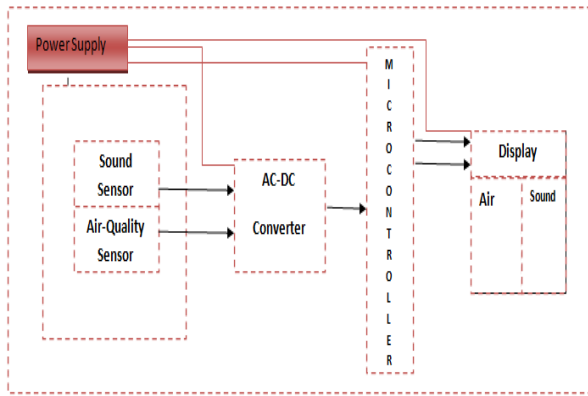


Fig 2 Proposed architecture of IoT and Cloud Computing for Air and Sound Pollution monitoring system

IV. RESULTS AND DISCUSSION

The study “An Analysis of the Deployment and Performance of an Internet of Things-Enabled Monitoring System for Air and Sound Pollution” examines in depth the deployment and performance of a monitoring system to assess environmental quality. Focusing on a network of sensors to track things like air pollution and noise levels, this research looks at how to integrate a microcontroller and display unit into an IoT architecture. The key findings highlight the effectiveness of the system in providing fast and accurate data for monitoring and analysis of air quality and noise pollution. The Internet of Things (IoT) architecture provides uninterrupted connection, providing remote accessibility and control. The study emphasizes the potential for widespread use of this integrated technique in urban settings to improve pollution management and public consciousness, and it demonstrates the practicality of doing so. In general, this work provides significant contributions to our understanding of the interplay between the Internet of Things (IoT), sensor technologies, and environmental monitoring in the context of promoting sustainability and improving the quality of living environments. The research paper, entitled “An Investigation into the Application of the Internet of Things (IoT) for Monitoring Air and Sound Pollution,” delves into a pragmatic implementation of IoT technology for the purpose of environmental monitoring. The device offers real-time data on pollution levels by incorporating air quality and sound level sensors with a microcontroller and a display unit. The novel methodology possesses noteworthy ramifications for the fields of urban planning, public health, and environmental sustainability. By using the capacity to consistently gather and analyze data, metropolitan regions are empowered to make well-informed choices pertaining to the management of traffic, laws within industrial sectors, and the design of public spaces, all with the aim of mitigating pollution. The connectivity of the system's Internet of Things (IoT) enables the smooth transmission of data to a central server, hence facilitating access to comprehensive datasets for policymakers and academics to make well-informed decisions. Moreover, the incorporation of a visual interface amplifies public consciousness, enabling individuals to make well-informed decisions pertaining to their daily routines by taking into account the prevailing levels of pollution. This study not only makes a valuable contribution to the advancement of smart city solutions, but also highlights the potential of the Internet

of Things (IoT) in effectively tackling urgent environmental concerns for the betterment of communities and the world.

V. CONCLUSION

In conclusion, this study investigates the development and use of a system for monitoring air and sound pollution that includes sensors, a microcontroller, and a display unit, all made possible by IoT technology. As a result of using IoT technology, this system is able to collect, analyze, and disseminate information in near-real time. There is now a full solution available to overcome the challenges of urban environmental monitoring. The use of sensors ensures accurate readings of air quality indicators and noise levels, while the microcontroller organizes data processing and interaction with the IoT network. The incorporation of a display unit enhances user engagement and enables the representation of data through visual means. The use of this comprehensive method not only improves the effectiveness of pollution monitoring but also facilitates evidence-based decision-making for urban planning and environmental management. This study highlights the potential of Internet of Things (IoT) technology in transforming pollution monitoring systems, hence facilitating the adoption of more sustainable and informed approaches to address air and sound pollution in our progressively urbanized global environment.

REFERENCES

- [1] Navreetinder Kaur, Rita Mahajan, Deepak Bagai, “Air Quality Monitoring System based on Arduino Microcontroller,” *International Journal Innovative Research in Science, Engineering and Technology (IJIRSET)*, Vol 5, Issue 6- June 2016. □
- [2] Palaghatyaswanthsai. “An IoT Based Automated Noise and Air Pollution Monitoring System” *International Journal Of Advanced Research In Computer And Communication Engineering* Vol. 6, Issue 3, March 2017.
- [3] Arushi Singh, Divya Pathak, Prachipandit, Shrutipatil, Prof. Priti. C.Golar.” *IoT Based Air and Sound Pollution Monitoring System*” *International Journal Of Advanced Research In Electrical, Electronics And Instrumentation Engineering* Volume 6, Issue 3, March 2017.
- [4] Uppugunduru Anil Kumar, G. Keerthi, G. Sumalatha, M.S. Ushma Reddy” *IoT Based Noise and Air Pollution Monitoring System*” *International Journal of Advance Technology in Engineering And Science* Volume 5, Issue 3, March 2017.
- [5] Ms. Sarikadeshmukh, Mr. Saurabhsurendran, Prof. M.P. Sardey. “*Air And Sound Pollution Monitoring System Using Iot*” *International Journal On Recent And Innovation Trends In Computing And Communication* Volume 5, Issue 6, June 2017.
- [6] Palaghat Yaswanth Sai: *An IoT Based Automated Noise and Air Pollution Monitoring System* Vol. 6, Issue 3, March 2017.
- [7] L. Ezhilarasi, 2K. Sriprिया, 3 A. Suganya, 4K. Vinodhini.: *A System for Monitoring Air and Sound*

- Pollution using Arduino Controller with IOT Technology Vol. 3 Issue 2 (2017) Pages 1781 – 1785.
- [8] Ms. Sarika Deshmukh, Mr.Saurabhsurendran and Prof.M.P. Sardey: Air and Sound Pollution Monitoring System using IoT Volume: 5 Issue: 6
- [9] Anjaiah Guthi – “Implementation of an Efficient Noise and Air Pollution Monitoring System Using Internet of Things (IoT)”, International Journal of Advanced Research in Computer and Communication Engineering. Vol. 5, Issue 7, July 2016.
- [10] P.Vijnatha Raju, R.V.R.S.Aravind, Sangeeth Kumar, “Pollution Monitoring System using Wireless Sensor Network,” International Journal of Engineering Trends and Technology (IJETT), Vol 4, Issue 4 - April 2013.
- [11] Shadrach Tunde, Akinkaude, Kowawole, Peter Fasae, “A Survey of Noise Pollution in Ado-Ekiti Metropolis Using Mobile Phone,” Science Technology Department, Science Research Publishing, October-2015.
- [12] Darshana N. Tambe, Netika A. Chavhan, “Evaluation Air Pollution Parameters Using Zigbee (IEEE 802.15.6),” IOSR Journal of Computer Engineering; Vol 11, Issue 4 - May-June 2013.
- [13]] Diego Méndez, Alfredo J. Pérez, Miguel A. Labrador, Juan José Marrón, “P-Sense: A participatory sensing system for air pollution monitoring and control” (Department of Computer Science and Engineering, University of South Florida, Tampa, USA) Published on IEEE at: 12 May 2011, DOI: 10.1109/PERCOMW.2011.5766902.
- [14] Riteeka Nayak, Malaya Ranjan Panigrahy, Vivek Kumar Rai and Tappa Rao: IOT based air pollution monitoring system Vol-3, Issue-4, 2017.
- [15] Z. J. Andersen, M. Hvidberg, S. S. Jensen, M. Ketzel, S. Loft, M. Sorensen, O. Raaschou-Nielsen, “Chronic obstructive pulmonary disease and long-term exposure to traffic-related air pollution: a cohort study”, American journal of respiratory and critical care medicine, 2011, Vol. 183(4), 455-461.